

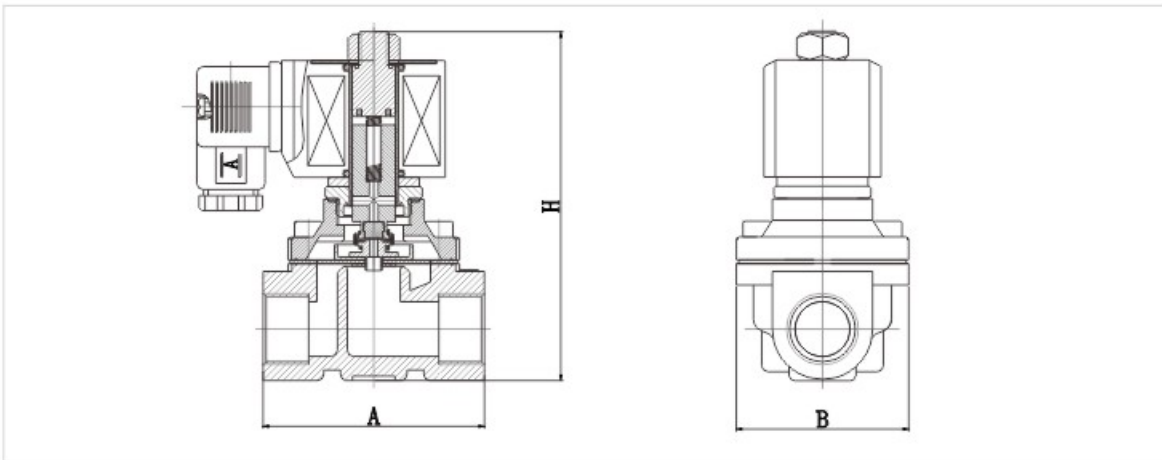
Sanlixin Solenoid Valve

ZS 2/2-Way Large diameter Direct Acting Solenoid Valve · Normally Closed

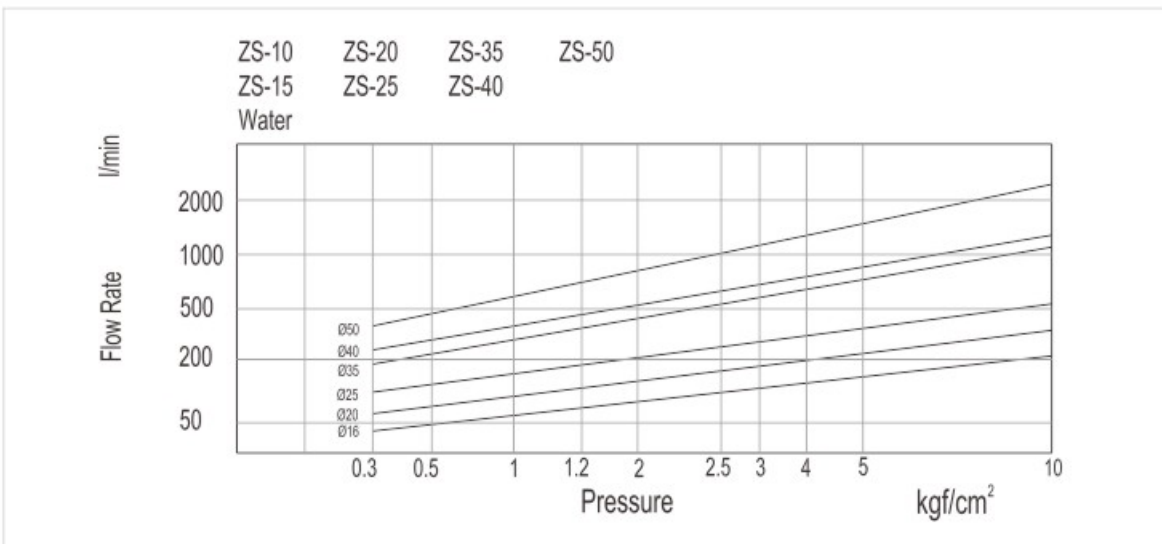
- 1: 2-Way normally closed solenoid valve, Closed when de-energized, open when energized.
- 2: Serialized products, small in size, large flow rate, widely use
- 3: Body material: forged brass, cast brass (for orifice $\Phi 32$ 、40、50 only)
- 4: Ambient Temp. $0^{\circ}\text{C}\sim 65^{\circ}\text{C}$, Fluids Temp: $0^{\circ}\text{C}\sim 120^{\circ}\text{C}$.
- 5: Flow as the arrow, mounts in any position; Best position is Solenoid vertical and upright direction.
- 6: Voltage: 220VAC/230VAC/240VAC/110VAC/24VAC 50/60HZ 24VDC/12VDC;
Voltage Tolerance: +10% to -10% applicable voltage
- 7: Coil can fix Germany Nass Coil, for orifice under $\phi 16\sim 25\text{mm}$ only.
- 8: This series valves are offered NBR、VITON、EPDM etc for Seals and diaphragm to provide on-off control of various fluids.
- 9: Coil can fix SM Coil below DN25. AC 220V/AC110V/AC24V/DC24V



External Dimensions Chart



Flow Chart



ZS 2/2-Way Large diameter Direct Acting Solenoid Valve · Normally Closed

Valve Selection List

Pipe Conn- ection	Orifice mm	CV Factor	Operating pressure differential (kgf/cm ²)								Max. Fluids Temp.	Coil F Class Type	Power consumption		External Dimensions Length x Width x Height L x B x H	Model Code Follows Voltage are 220VAC 50/60HZ	Weight (KG)
			Min.	Max.						VA AC 220 V			W DC 24 V				
				Air Gas		Water Hot water Liquids		Light oil ≤20CST									
				AC	DC	AC	DC	AC	DC								
3/8"	16	4.8	0	10	6	10	6	7	4	80	D	20	20	69×57×106	ZS1DF02N1C16	0.9	
	16	4.8	0	10	6	10	6			120	D	20	20	69×57×106	ZS1DF02E1C16	0.9	
	16	4.8	0	10	6	10	6	7	4	120	D	20	20	69×57×106	ZS1DF02V1C16	0.9	
	16	4.8	0			3	3			120	D	20	20	69×57×106	ZS1DF02G1C16	0.9	
1/2"	16	4.8	0	10	6	10	6	7	4	80	D	20	20	69×57×106	ZS1DF02N1D16	0.9	
	16	4.8	0	10	6	10	6			120	D	20	20	69×57×106	ZS1DF02E1D16	0.9	
	16	4.8	0	10	6	10	6	7	4	120	D	20	20	69×57×106	ZS1DF02V1D16	0.9	
	16	4.8	0			3	3			120	D	20	20	69×57×106	ZS1DF02G1D16	0.9	
3/4"	20	7.6	0	10	6	10	6	7	4	80	D	20	20	73×57×114	ZS1DF02N1E20	1.08	
	20	7.6	0	10	6	10	6			120	D	20	20	73×57×114	ZS1DF02E1E20	1.08	
	20	7.6	0	10	6	10	6	7	4	120	D	20	20	73×57×114	ZS1DF02V1E20	1.08	
	20	7.6	0			3	3			120	D	20	20	73×57×114	ZS1DF02G1E20	1.08	
1"	25	12	0	10	6	10	6	7	4	80	D	20	20	99×77×121	ZS1DF02N1G25	1.4	
	25	12	0	10	6	10	6			120	D	20	20	99×77×121	ZS1DF02E1G25	1.4	
	25	12	0	10	6	10	6	7	4	120	D	20	20	99×77×121	ZS1DF02V1G25	1.4	
	25	12	0			3	3			120	D	20	20	99×77×121	ZS1DF02G1G25	1.4	
1 1/4"	32	24	0	10	6	10	6	7	4	80	D	57	45	112×86.5×150	ZS1DF02N2H32	2.5	
	32	24	0	10	6	10	6			120	D	57	45	112×86.5×150	ZS1DF02E2H32	2.5	
	32	24	0	10	6	10	6	7	4	120	D	57	45	112×86.5×150	ZS1DF02V2H32	2.5	
	32	24	0	10	6	10	6	7	4	80	D	57	45	112×86.5×150	ZS1DF02N1H32	2.7	
	32	24	0	10	6	10	6			120	D	57	45	112×86.5×150	ZS1DF02E1H32	2.7	
	32	24	0	10	6	10	6	7	4	120	D	57	45	112×86.5×150	ZS1DF02V1H32	2.7	
1 1/2"	40	29	0	10	6	10	6	7	4	80	D	57	45	123×94×160	ZS1DF02N2J40	2.9	
	40	29	0	10	6	10	6			120	D	57	45	123×94×160	ZS1DF02E2J40	2.9	
	40	29	0	10	6	10	6	7	4	120	D	57	45	123×94×160	ZS1DF02V2J40	2.9	
	40	29	0	10	6	10	6	7	4	80	D	57	45	123×94×160	ZS1DF02N1J40	3.2	
	40	29	0	10	6	10	6			120	D	57	45	123×94×160	ZS1DF02E1J40	3.2	
	40	29	0	10	6	10	6	7	4	120	D	57	45	123×94×160	ZS1DF02V1J40	3.2	
2"	50	48	0	10	6	10	6	7	4	80	D	57	45	168×123×183	ZS1DF02N2K50	5.2	
	50	48	0	10	6	10	6			120	D	57	45	168×123×183	ZS1DF02E2K50	5.2	
	50	48	0	10	6	10	6	7	4	120	D	57	45	168×123×183	ZS1DF02V2K50	5.2	
	50	48	0	10	6	10	6	7	4	80	D	57	45	168×123×183	ZS1DF02N1K50	5.4	
	50	48	0	10	6	10	6			120	D	57	45	168×123×183	ZS1DF02E1K50	5.4	
	50	48	0	10	6	10	6	7	4	120	D	57	45	168×123×183	ZS1DF02V1K50	5.4	