

ZQDF General Use Series Solenoid Valve • Normally Closed

Technical parameters

1	Max operation pressure: 8bar
2	Working pressure: 0-8bar
3	Fluid media: fluid, air, steam, and light oil <20CST
4	Fluid temp: ≤180℃
5	Voltage: AC:380V;220V;36V/50Hz DC:12V;24
6	Coil class: class B
7	Voltage tolerance -15% + 10%
8	Power consumption: 50w
9	Response time: open≤2sec, closed ≤3sec
10	Mounting position: flow as arrow, solenoid vertical and upright direction. Pure fluids.

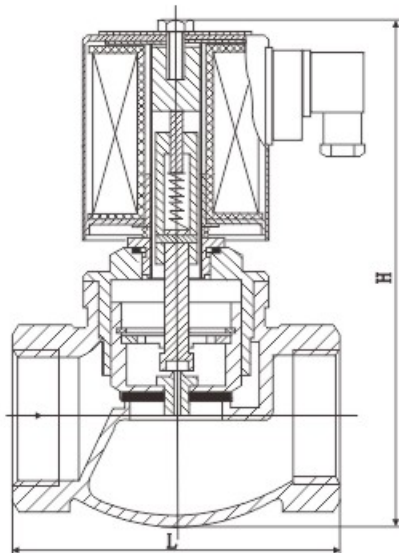


Parameters

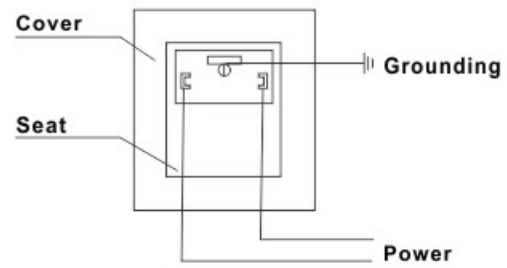
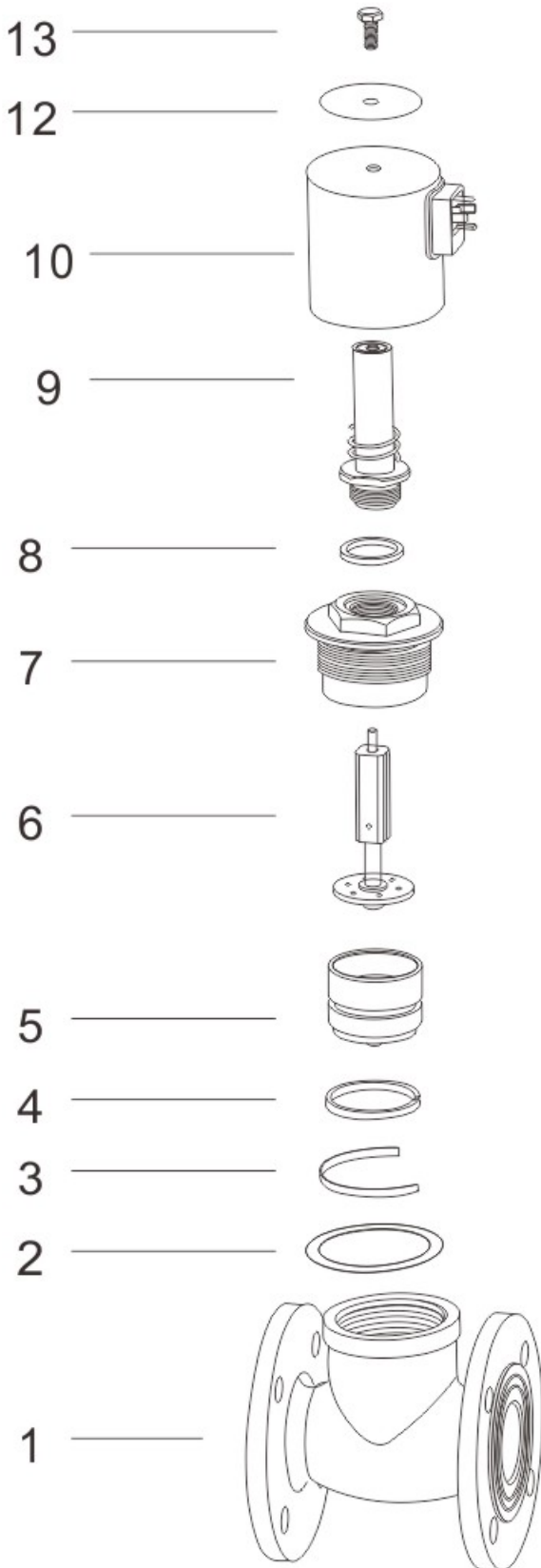
Model code	L (mm)	H (mm)	Pipe size(Female)	Body Material:
ZQDF-15	86	178	G 1/2"	Brass
ZQDF-20	94	180	G 3/4"	
ZQDF-25	105	190	G 1"	
ZQDF-32	115	210	G 1 1/4"	
ZQDF-40	130	223	G 1 1/2"	
ZQDF-50	150	228	G 2"	

TEFLON NOTE: standard Teflon, pls advise if you want viton

Construction, external dimension chart



ZQDF General Use Series Solenoid Valve • Normally Closed



Electric wiring chart

Code	Components
01	Valve body
02	Seals
03	Elastic ring
04	Piston ring
05	Piston assembly
06	Stem assembly
07	Valve cover
08	Plunger tube seals ring
09	Plunger assembly
10	Coil
11	Plug
12	Nameplate
13	Lock nut

Sanlixin Solenoid Valve

ZQDF General Use Series Solenoid Valve · Normally Closed

Technical parameters

1	Max operation pressure: 8bar
2	Working pressure: 0-8bar
3	Fluid media: fluid, air, steam, and light oil
4	Fluid temp: $\leq 180^{\circ}\text{C}$
5	Voltage: AC:380V;220V 36V/50Hz DC:24V
6	Coil class: class B
7	Voltage tolerance -15% to +10%
8	Power consumption: 50w
9	Response time: open $\leq 2\text{sec}$, closed $\leq 3\text{sec}$
10	Mounting position: flow as arrow, solenoid vertical and upright direction. Pure fluids.



Parameters

Model code	L (mm)	H (mm)	Pipe size (Female)	Body Material:	Weight(KG)
ZQDF-15B	86	178	G 1/2"	SS304	2.6
ZQDF-20B	94	180	G 3/4"		2.7
ZQDF-25B	105	190	G 1"		3.8
ZQDF-32B	115	210	G 1 1/4"		4.2
ZQDF-40B	130	223	G 1 1/2"		4.6
ZQDF-50B	150	228	G 2"		5.7

TEFLON NOTE: standard Teflon, pls advise if you want viton

Construction, external dimension chart

