

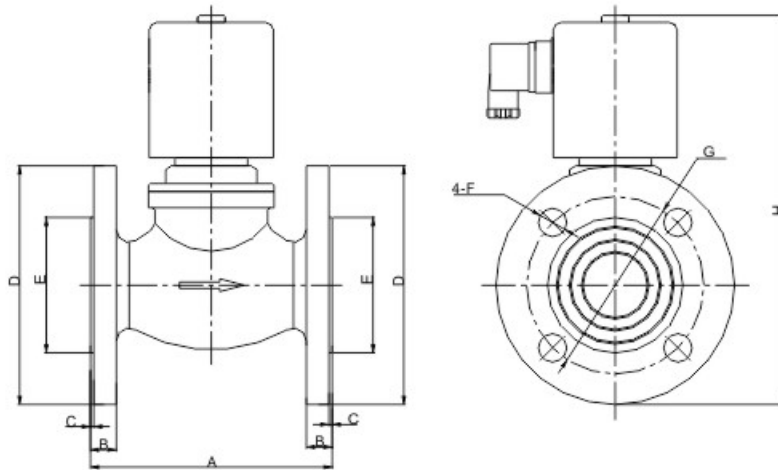
# ZQDF General Use Series Solenoid Valve · Normally Closed

## Technical parameters

1. Body Material: Brass SS304
2. Working Pressure: 0-8bar
3. Media: Liquid, gas, steam. Oil<20CST
4. Voltage: AC380V 220V 36V/50HZ DC24V etc.
5. Class of insulation: Class B
6. Power: 50W
7. Tolerance for the power supply: -15% ~+10%
8. Mounting position: flow as arrow, solenoid vertical and upright direction,
9. If you want the SS304 body, the model for example : ZQDF-25BF



## External Dimension



Model	A	B	C	D	E	F	G	H	Weight(KG)
ZQDF-20F	110	12	2	102	56	4-14	75	215	5.2
ZQDF-25F	110	12	2	115	65	4-14	85	215	5.4
ZQDF-32F	126	16	2	140	78	4-18	100	245	5.9
ZQDF-40F	150	16	2	148	84	4-18	110	253	8.5
ZQDF-50F	160	16	2	165	102	4-18	125	268	9.8