

# Sanlixin Solenoid Valve

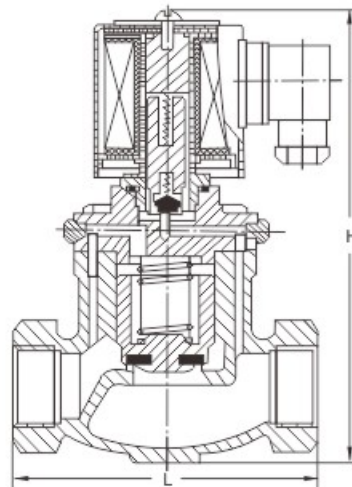
## ZCZ Series 2/2-way Solenoid Valve · Normally Closed

### Technical parameters

1	Max Pressure	1.6MPa <1.0MPa>
2	Operating differential pressure	0.05 ~ 1.6MPa ≥ φ65    0.1 ~ 1.6MPa <ZCZP Series 0.04 ~ 1.0MPa>
3	Media	Liquid, gas, steam, oil <20CST
4	Media Temperature	≤180℃ <200℃
5	Voltage	AC:380V 220V 36V/50Hz    DC:24V 110V 220V
6	Coils class	Class B
7	Power supply Tolerance	-15% ~ +10%
8	Power	φ15~ φ50 24W    φ65~ φ150 50W
9	Response Time	φ15~ φ50 Open ≤2s    Closed ≤3s φ65~ φ150 Open ≤3s    Closed ≤5s
10	Mounting Position	Flow as arrow, solenoid vertical and upright direction, pure

### Parameters

Model code	L(mm)	W(mm)	Pipe size (Female Thread)	Body Material	Wight(KG)
ZCZ-15	90	150	G 1/2"	Brass	1.3
ZCZ-20	100	160	G 3/4"		1.5
ZCZ-25	115	176	G 1"		2.3
ZCZ-32	140	201	G 1 1/4"		3.1
ZCZ-40	155	223	G 1 1/2"		4.4
ZCZ-50	170	230	G 2"		5.9



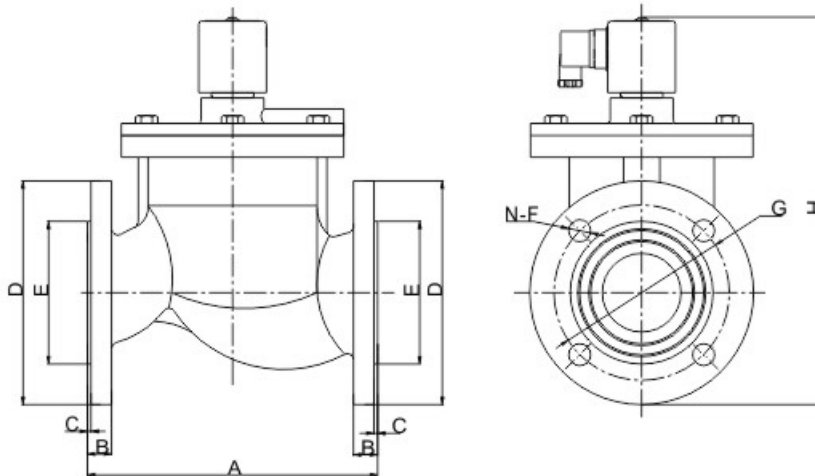
# ZCZ Series 2/2-way Solenoid Valve · Normally Closed

## Technical parameters

1	Operation pressure: $\leq \phi 65$ : 0.5~16bar; $> \phi 65$ : 1~16bar (ZCZP Series: 0.4~1.0MPa)
2	Fluid media: fluid, air, steam, and light oil < 20CST
3	Voltage: AC: 380V, 220V, 36V DC: 24V, 110V, 220V
4	Coil class: class B
5	Voltage tolerance -15% + 10%
6	Power consumption: $\phi 20 \sim \phi 50$ 24W; $\phi 65 \sim \phi 150$ 50W
7	Response time: $\phi 20 \sim \phi 50$ Open $\leq 2s$ Closed $\leq 3s$ ; $\phi 65 \sim \phi 150$ Open $\leq 3s$ Closed $\leq 5s$
8	Mounting position: flow as arrow, solenoid vertical and upright direction, pure fluids.



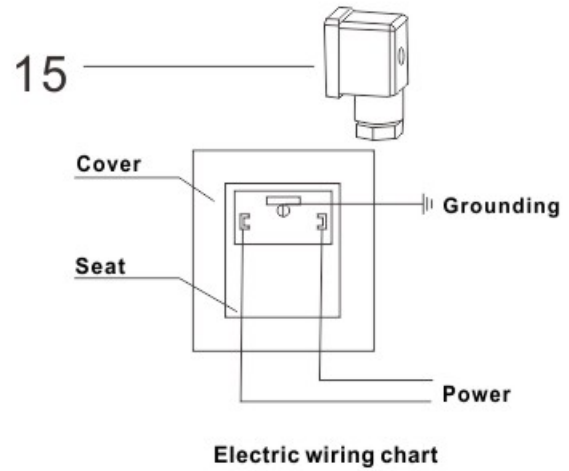
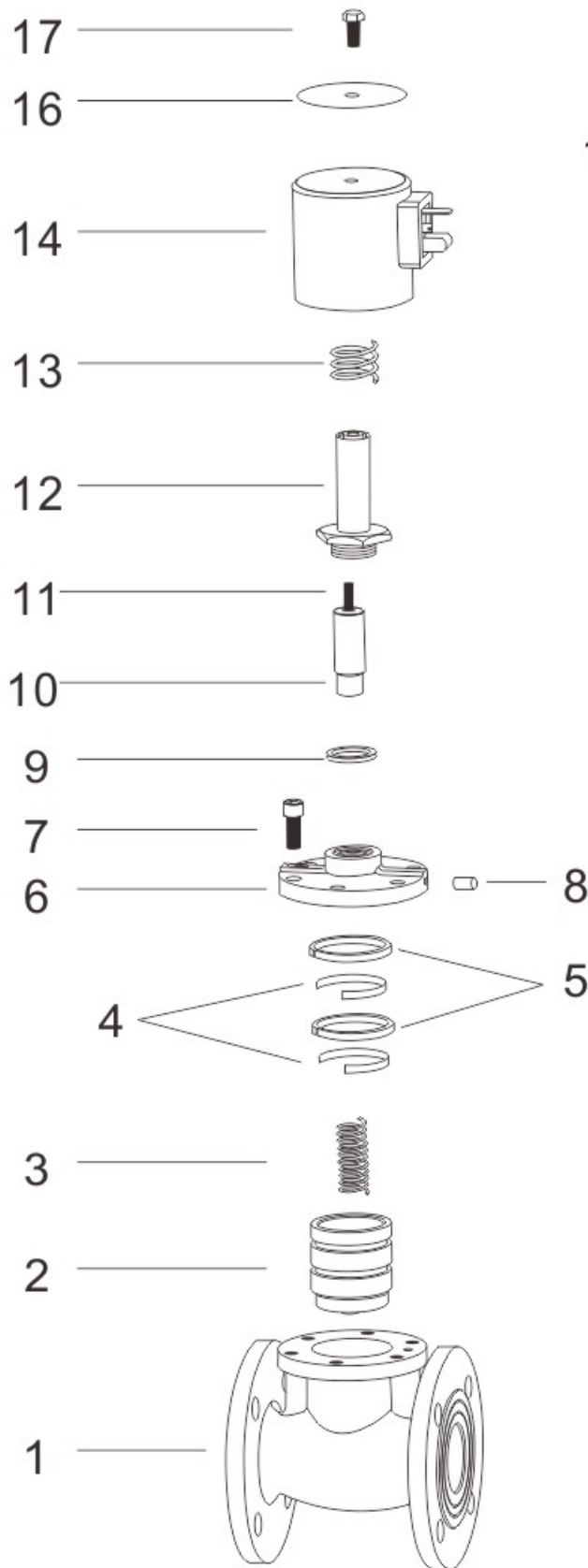
## Construction, external dimension chart



Model code	A	B	C	$\Phi D$	$\Phi E$	$\Phi F$	$\Phi G$	H	N	Body material	Weight(KG)
ZCZ-20F	110	12	2	102	56	14	75	185	4	Brass body	2.8
ZCZ-25F	122	13	2	112	65	14	85	202	4		4.9
ZCZ-32F	140	16	2	140	78	18	100	240	4		5.5
ZCZ-40F	150	16	2	148	84	18	110	254	4		7.6
ZCZ-50F	160	17	2	165	102	18	125	265	4		9.1
ZCZ-65F	240	20	3	185	118	18	145	360	4	Cast Iron	—
ZCZ-80F	280	22	3	200	132	18	160	400	4		
ZCZ-100F	320	25	3	220	160	18	180	420	8		
ZCZ-150F	400	28	3	285	212	22	240	570	8		

# Sanlixin Solenoid Valve

## ZCZ Series 2/2-way Solenoid Valve • Normally Closed



Code	Components
01	Valve body
02	Piston assembly
03	Piston spring
04	Elastic ring
05	Piston ring
06	Valve cover
07	Valves fixed screw
08	core plug
09	Plunger tube seals ring
10	Plunger assembly
11	Plunger spring
12	Plunger tube assemble
13	Coil
14	Coil spring
15	Plug
16	Namplate
17	Lock nut