

Sanlixin Solenoid Valve

ZCM Zero Pressure Differential Gas Solenoid Valve

Using

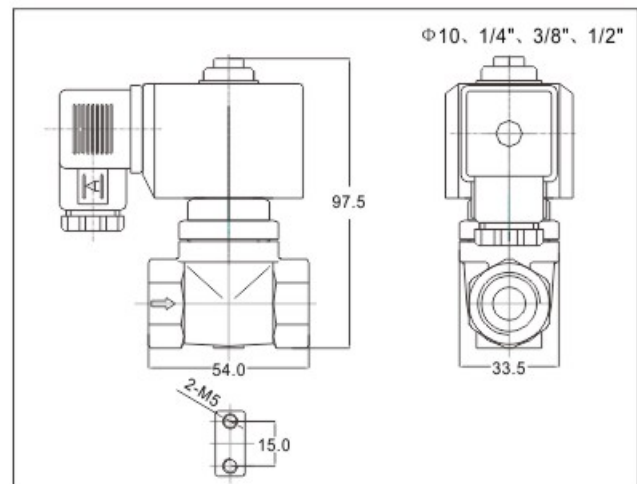
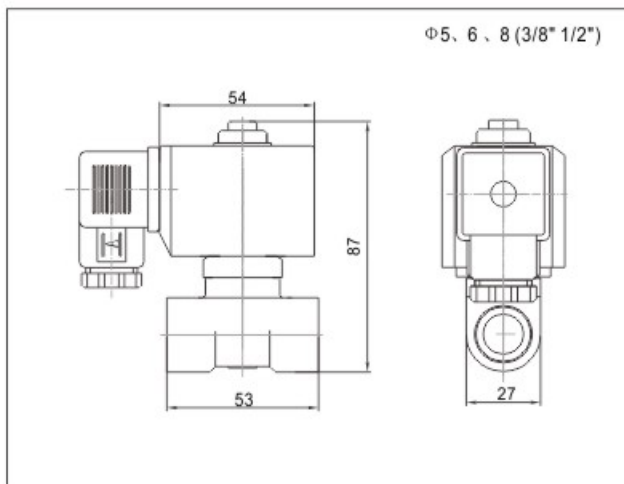
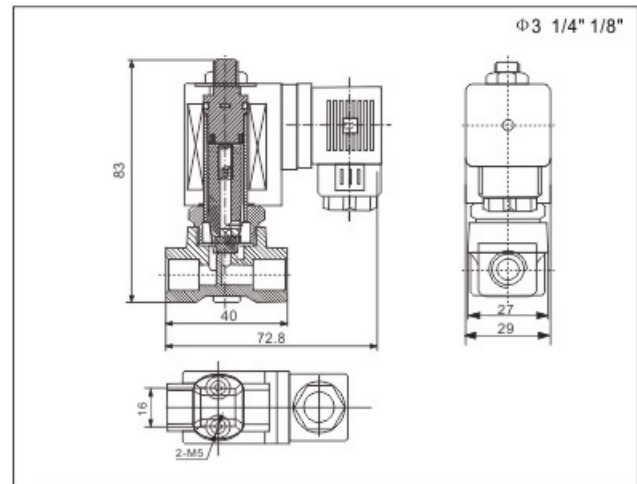
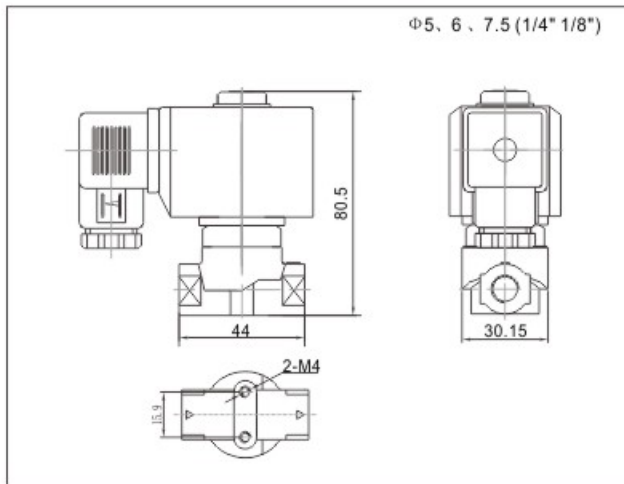
This series valve provide on-off control coal gas, natural gas, and other combustion fluid media, they also can control other low pressure fluids

Characteristics

- 1 Special construction, low pressure
- 2 They are capable of operating at zero pressure differential, and have large flow.
- 3 Use high quality seals, no leaking.
- 4 Best position is solenoid vertical and upright direction, Flow as the arrow.
- Explosion- proof coil and be fitted (for orifice under 25MM only)
- Explosion-proof certification NO.: Refer to standard: GB3836 • 9
- Explosion-proof Symbol: Exm I/II T4



External Dimensions Chart



ZCM Zero Pressure Differential Gas Solenoid Valve

Parameters

Orifice (mm)	3	5	6	8	10	15	20	25	32	40	50	65	80	100										
CV Factor	0.3	0.6	0.7	1.0	1.7	4.6	7.6	12	20	28	46	75	90	160										
Max. kgf/cm ²	5	3	2.5	0.5	0.3	2.5			2.5			2.5												
Fluid Media	Coal Gas\Natural Gas\Other Normally Gas and Fluids etc																							
Seals	NBR / VITON																							
Fluid Temp	- 5 ~ + 6 0°C																							
Voltage	AC : 220 V				110 V				36 V				24 V				DC : 24 V				12 V			
Power Consumption	15 W								30 W								50 W							

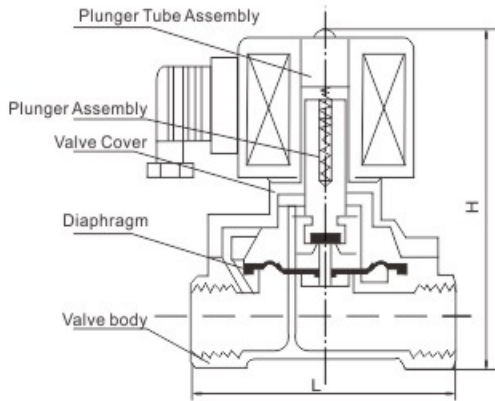
SLP Series Coils Characteristics List (Small size direct acting Normally Closed)

Model	Orifice mm	Pipe size	L(mm)	H(mm)	Body Material	Brass Weight (KG)	SS Weight (KG)		
ZCM-3	3	1/8"	40	83	Brass Stainless Steel	0.48	0.48		
ZCM-3	3	1/4"	40	83		0.62	0.62		
ZCM-5	5	1/8"	43.4	80.5					
ZCM-5	5	1/4"	43.4	80.5					
ZCM-5	5	3/8"	53	87					
ZCM-5	5	1/2"	53	87					
ZCM-6	6	3/8"	53	87					
ZCM-6	6	1/2"	53	87					
ZCM-8	7.5(8)	3/8"	53	87					
ZCM-8	7.5(8)	1/2"	53	87					
ZCM-10	10	3/8"	54	97.5				0.62	—
ZCM-10	10	1/2"	54	97.5					
ZCM-15	15	1/2"	69	117				0.9	0.8
ZCM-20	20	3/4"	73	123				1.0	1.1
ZCM-25	25	1"	99	135				1.54	1.5
ZCM-32	32	1 1/4"	112	175				2.23	2.3
ZCM-40	40	1 1/2"	123	175				2.7	2.9
ZCM-50	50	2"	168	209				4.4	4.7

Sanlixin Solenoid Valve

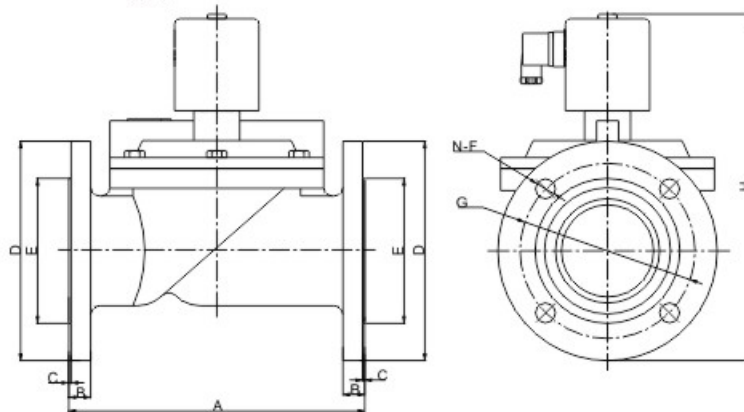
ZCM Zero Pressure Differential Gas Solenoid Valve

Construction&External Dimension Chart(large size)



"E" : If you want the EX-PROOF coil please tell us

Construction&External Dimension Chart(large size:flange)



Model	A	B	C	ΦD	ΦE	ΦF	ΦG	H	N	Body	Weight(KG)
ZCM-40F	155	15	2	150	88	18	110	210	4	Cast Iron	——
ZCM-50F	200	16	2	160	88	18	125	240	4		
ZCM-65F	250	20	3	185	118	18	145	290	4		
ZCM-80F	270	18	2	200	132	18	160	310	4		
ZCM-100F	350	20	2	220	160	18	180	350	8		
ZCM-65BF	250	19	3	185	118	18	145	208	4	SS304	15.2
ZCM-80BF	270	19	3	202	134	18	160	320	4		18
ZCM-100BF	342	21	3	222	162	18	180	345	8		23.5