

SLW 2/2-way Direct Acting Small Type Solenoid Valve · Normally Closed

- SLW series normally closed
- Closed when de-energized open , open when energized
- Body material: brass or stainless steel
- Response time: 6-20ms
- Seals: NBR or VITON or EPDM(100 °C (temp)
- Media: pure water, air .
- Max working pressure: 30 bar
- Fluid temp: 0-100 °C ambient temp: 10~+40° c
- Voltage : ac220v 110v 24v 50/60hz dc24v 12v
- Power consumption: c 6.8va (hold) dc 5w
- Coil class: class b 130° c ed100%
- Lead wire coil, coil length:30 cm
- Flow as the arrow, mounts in any position; best position is solenoid vertical and Upright direction. Fixed hole on the bottom 2-m4



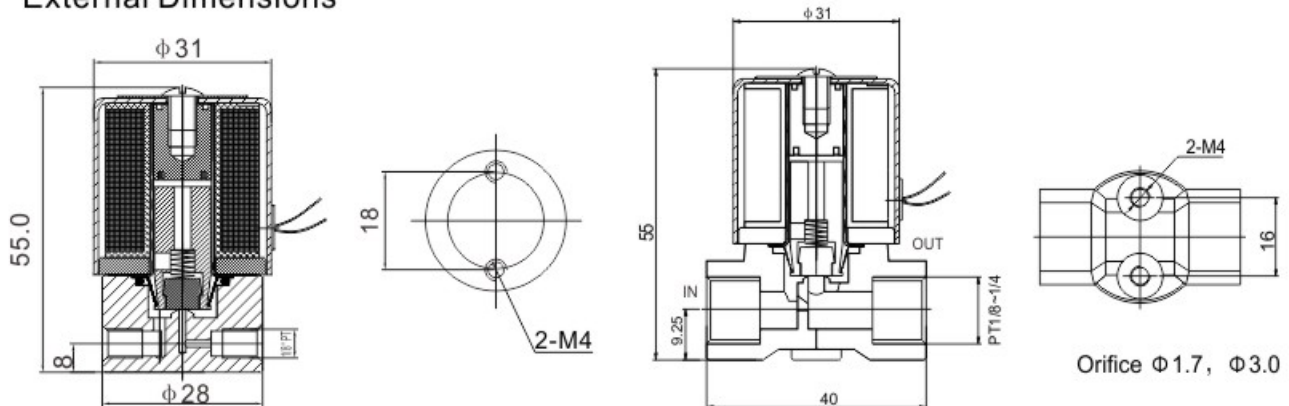
Specification

| Pipe size | orifice mm | CV rate | Pressure bar | | Temp °C | Model code Voltage 220vac | | Weight (KG) |
|-----------|------------|---------|--------------|-----|---------|---------------------------|---------------|-------------|
| | | | Min | max | | Barss | S.S. | |
| | | | | | | | | |
| 1/8" | 1.2 | 0.05 | 0 | 30 | 80 | SLW1WB02N9AC1 | SLW1WB02N5AC1 | 0.21 |
| | 1.5 | 0.08 | 0 | 21 | 80 | SLW1WB02N9AC2 | SLW1WB02N5AC2 | 0.21 |
| | 2.0 | 0.14 | 0 | 16 | 80 | SLW1WB02N9A02 | SLW1WB02N5A02 | 0.21 |
| | 2.5 | 0.23 | 0 | 8 | 80 | SLW1WB02N9AC3 | SLW1WB02N5AC3 | 0.21 |
| | 3.0 | 0.3 | 0 | 6 | 80 | SLW1WB02N9A03 | SLW1WB02N5A03 | 0.21 |
| M5 | 1.2 | 0.05 | 0 | 30 | 80 | SLW1WB02N9MC1 | SLW1WB02N5MC1 | 0.22 |
| | 1.5 | 0.08 | 0 | 21 | 80 | SLW1WB02N9MC2 | SLW1WB02N5MC2 | 0.22 |
| | 2.0 | 0.14 | 0 | 16 | 80 | SLW1WB02N9M02 | SLW1WB02N5M02 | 0.22 |

Solenoid Valves Model Numbering System for Order

| | 1 | 2 | 3 | 4 | 5 | 6 | 7 | 8 | 9 | 10 |
|------|--------------|--------------------|-----------------------------------|------------|--|----------------------------|---|--|--------------------------------------|--------------------------|
| | Valve Series | Mode of Operation | Coil Type | Coil Class | voltage | Seal Material | Body Material | Pipe Size | Orifice (mm) | Options |
| E.G. | SLW | 1 | W | B | 02 | N | 9 | A | 02 | <input type="checkbox"/> |
| | | 1= Normally closed | W: metallic housing Lead wires | B: B Class | 02=220VAC 01=110VAC 05=24VAC 13=DC24V 12=DC12V | N=NBR E=EPDM V=VITON | 9= brass 5=S.S. 1= Froged brass | A=1/8" M=M5 A=1/8" B=1/4" | C1=1.2 C2=1.5 C3=2.5 C3=3.0 | N=NPT Connection |

External Dimensions



Sanlixin Solenoid Valve

SLW 2/2-way Direct Acting Small Type Solenoid Valve · Normally Closed

- SLW series 2/2-way solenoid valve, closed when de-energized, open when energized.
- Serialized products, small size, large flow rate.
- Body material: brass / stainless steel
- Open & closed response time: 6~20ms
- Seal material: NBR(standard) EPDM(100°C)
- Media: clean water, air
- Operating pressure: max 13kgf/cm²
- Media temp.: 0~80°C ambier temp.: -10°C~+40°C
- Voltage: ac220v 110v 24v 50/60hz dc24v 12v voltage tolerance: -10%~+10%
- Power consumption: ac 6.8va(holding) dc 5w
- Heat resistant: class b 130 ed100% lead wires coil (w), lead wires length: 30cm(changeable)
- Install: flow as the raw, mounst in any position, best position is solenoid vertical and upright direction. Bottom install fixed hole: 2-m3 x 6



0.16kg

Solenoid Valve Numbering System for Order

| | 1 | 2 | 3 | 4 | 5 | 6 | 7 | 8 | 9 | 10 |
|------|--------------|--------------------|--------------------------------|-------------|--|-----------------|---------------|----------------------------|--------------------------------------|--|
| | Valve Series | Mode of Operation | Coil Type | Coils Class | Voltage | Seal Material | Body Material | Pipe Size | Orifice mm | Operating pressure kgf/cm ² |
| E.G. | SLW | 1 | W | B | 02 | N | 1 | Y | 02 | |
| | | 1= Normally Closed | W: Metallic Housing Lead Wires | B: B Class | 02=220VAC 01=110VAC 13=DC24V 12=DC12V | N=NBR E=EPDM | 1=Brass | tube plug-type see picture | C2=1.5 02=2.0 C3=2.5 03=3.0 | 17 13 8 6 |

External Dimensions Chart

