

Sanlixin Solenoid Valve

ZS 2/2-Way Large diameter Direct Acting Solenoid Valve • Normally Closed

- 1: 2-Way normally closed solenoid valve, Closed when de-energized, open when energized.
- 2: Body material: 304 stainless steel and 316 stainless steel
- 3: Fluids Temp: 0°C~120°C; Ambient Temp. 0°C~65°C
- 4: Serialized products, small in size, large flow rate, widely use
- 5: Flow as the arrow, mounts in any position; Best position is Solenoid vertical and upright direction.
- 6: Voltage: 220VAC/230VAC/240VAC/110VAC/24VAC 50/60HZ 24VDC/12VDC;
Voltage Tolerance: +10% to -10% applicable voltage
- 7: Coil can fix Germany Nass Coil, for orifice under DN25 only.
- 8: This series valves are offered NBR, VITON, EPDM etc
for Seals and diaphragm to provide on-off control of various fluids.
- 9: Coil can fix SM Coil below DN25. AC 220V/AC110V/AC24V/DC24V



Valve Selection List (Female Thread)

Pipe Conn-ection	Orifice mm	CV Factor	Operating pressure differential (kgf/cm ²)							Max. Fluids Temp.	Coil F Class Type	Power consumption		External Dimensions Length x Width x Height A x B x H	Model Code Follows Voltage are 220VAC 50/60HZ	Weight (KG)
			Min.	Max.								VA AC 220 V	W DC 24 V			
				Air Gas		Water Hot water Liquids		Light oil								
				AC	DC	AC	DC	AC	DC							
3/8"	16	4.8	0	10	6	10	6	7	4	80	D	20	20	69×57×106	ZS1DF02N4C16	0.8
	16	4.8	0	10	6	10	6			120	D	20	20	69×57×106	ZS1DF02E4C16	0.8
	16	4.8	0	10	6	10	6	7	4	120	D	20	20	69×57×106	ZS1DF02V4C16	0.8
	16	4.8	0			3	3			120	D	20	20	69×57×106	ZS1DF02G4C16	0.8
1/2"	16	4.8	0	10	6	10	6	7	4	80	D	20	20	69×57×106	ZS1DF02N4D16	0.85
	16	4.8	0	10	6	10	6			120	D	20	20	69×57×106	ZS1DF02E4D16	0.85
	16	4.8	0	10	6	10	6	7	4	120	D	20	20	69×57×106	ZS1DF02V4D16	0.85
	16	4.8	0			3	3			120	D	20	20	69×57×106	ZS1DF02G4D16	0.85
3/4"	20	7.6	0	10	6	10	6	7	4	80	D	20	20	73×57×114	ZS1DF02N4E20	1.1
	20	7.6	0	10	6	10	6			120	D	20	20	73×57×114	ZS1DF02E4E20	1.1
	20	7.6	0	10	6	10	6	7	4	120	D	20	20	73×57×114	ZS1DF02V4E20	1.1
	20	7.6	0			3	3			120	D	20	20	73×57×114	ZS1DF02G4E20	1.1
1"	25	12	0	10	6	10	6	7	4	80	D	20	20	99×77×121	ZS1DF02N4G25	1.45
	25	12	0	10	6	10	6			120	D	20	20	99×77×121	ZS1DF02E4G25	1.45
	25	12	0	10	6	10	6	7	4	120	D	20	20	99×77×121	ZS1DF02V4G25	1.45
	25	12	0	10	6	3	3			120	D	20	20	99×77×121	ZS1DF02G4G25	1.45
1 1/4"	32	24	0	10	6	10	6	7	4	80	D	57	45	112×86.5×150	ZS1DF02N4H32	2.3
	32	24	0	10	6	10				120	D	57	45	112×86.5×150	ZS1DF02E4H32	2.3
	32	24	0	10	6	10	6	7	7	120	D	57	45	112×86.5×150	ZS1DF02V4H32	2.3
1 1/2"	40	29	0	10	6	10	6	7	4	80	D	57	45	123×94×160	ZS1DF02N4J40	2.9
	40	29	0	10	6	10				120	D	57	45	123×94×160	ZS1DF02E4J40	2.9
	40	29	0	10	6	10	6	7	7	120	D	57	45	123×94×160	ZS1DF02V4J40	2.9
2"	50	48	0	10	6	10	6	7	4	80	D	57	45	168×123×183	ZS1DF02N4K50	4.8
	50	48	0	10	6	10				120	D	57	45	168×123×183	ZS1DF02E4K50	4.8
	50	48	0	10	6	10	6	7	4	120	D	57	45	168×123×183	ZS1DF02V4K50	4.8

ZS 2/2-Way Large diameter Direct Acting Solenoid Valve • Normally Closed



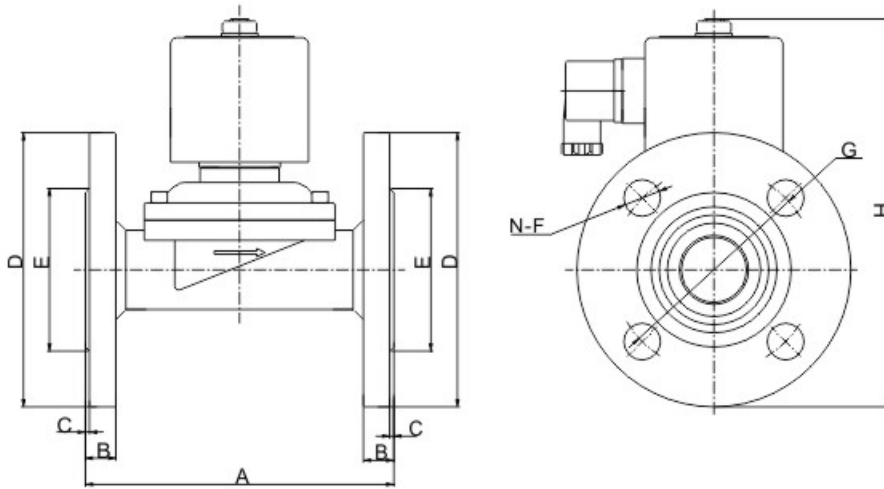
Valve Selection List(Flange)

Orifice mm	CV Factor	Operating pressure differential (Kg/cm ²)								Max. Fluids Temp.	Coil F Class Type	Power		Model Code 220VAC 50/60HZ	Weight (KG)	
		Min.	Max.									VA AC 220 V	W DC 24 V			
			Air Gas		Water Hot water Liquids		Light oil		AC							DC
			AC	DC	AC	DC	AC	DC								
15	4.8	0	10	6	10	6	7	4	80	D	20	20	ZS1DF02N4F15	1.8		
15	4.8	0	10	6	10	6			120	D	20	20	ZS1DF02E4F15	1.8		
15	4.8	0	10	6	10	6	7	4	120	D	20	20	ZS1DF02V4F15	1.8		
20	7.6	0	10	6	10	6	7	4	80	D	20	20	ZS1DF02N4F20	2.0		
20	7.6	0	10	6	10	6			120	D	20	20	ZS1DF02E4F20	2.0		
20	7.6	0	10	6	10	6	7	4	120	D	20	20	ZS1DF02V4F20	2.0		
25	12	0	10	6	10	6	7	4	80	D	20	20	ZS1DF02N4F25	2.9		
25	12	0	10	6	10	6			120	D	20	20	ZS1DF02E4F25	2.9		
25	12	0	10	6	10	6	7	4	120	D	20	20	ZS1DF02V4F25	2.9		
32	24	0	10	6	10	6	7	4	80	A	57	45	ZS1AF02N4F32	5.1		
32	24	0	10	6	10	6			120	A	57	45	ZS1AF02E4F32	5.1		
32	24	0	10	6	10	6	7	4	120	A	57	45	ZS1AF02V4F32	5.1		
40	29	0	10	6	10	6	7	4	80	A	57	45	ZS1AF02N4F40	6.1		
40	29	0	10	6	10	6			120	A	57	45	ZS1AF02E4F40	6.1		
40	29	0	10	6	10	6	7	4	120	A	57	45	ZS1AF02V4F40	6.1		
50	48	0	10	6	10	6	7	4	80	A	57	45	ZS1AF02N4F50	8.2		
50	48	0	10	6	10	6			120	A	57	45	ZS1AF02E4F50	8.2		
50	48	0	10	6	10	6	7	4	120	A	57	45	ZS1AF02V4F50	8.2		
65	75	0	6	5	6	5	3	2	80	A	57	64	ZS1AF02N4F65	15.2		
65	75	0	6	5	6	5			120	A	57	64	ZS1AF02E4F65	15.2		
65	75	0	6	5	6	5	3	2	120	A	57	64	ZS1AF02V4F65	15.2		
80	90	0	6	5	6	5	3	2	80	A	57	64	ZS1AF02N4F80	18		
80	90	0	6	5	6	5			120	A	57	64	ZS1AF02E4F80	18		
80	90	0	6	5	6	5	3	2	120	A	57	64	ZS1AF02V4F80	18		
100	160	0	6	5	6	5	3	2	80	A	57	64	ZS1AF02N4F100	23.5		
100	160	0	6	5	6	5			120	A	57	64	ZS1AF02E4F100	23.5		
100	160	0	6	5	6	5	3	2	120	A	57	64	ZS1AF02V4F100	23.5		

Sanlixin Solenoid Valve

ZS 2/2-Way Large diameter Direct Acting Solenoid Valve · Normally Closed

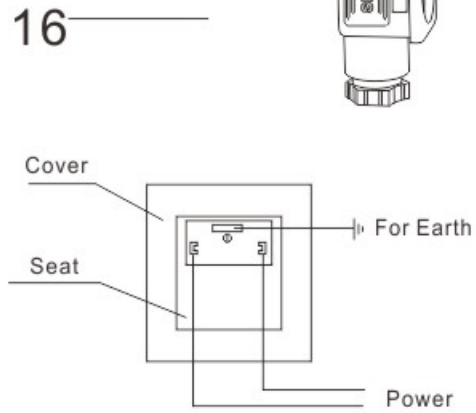
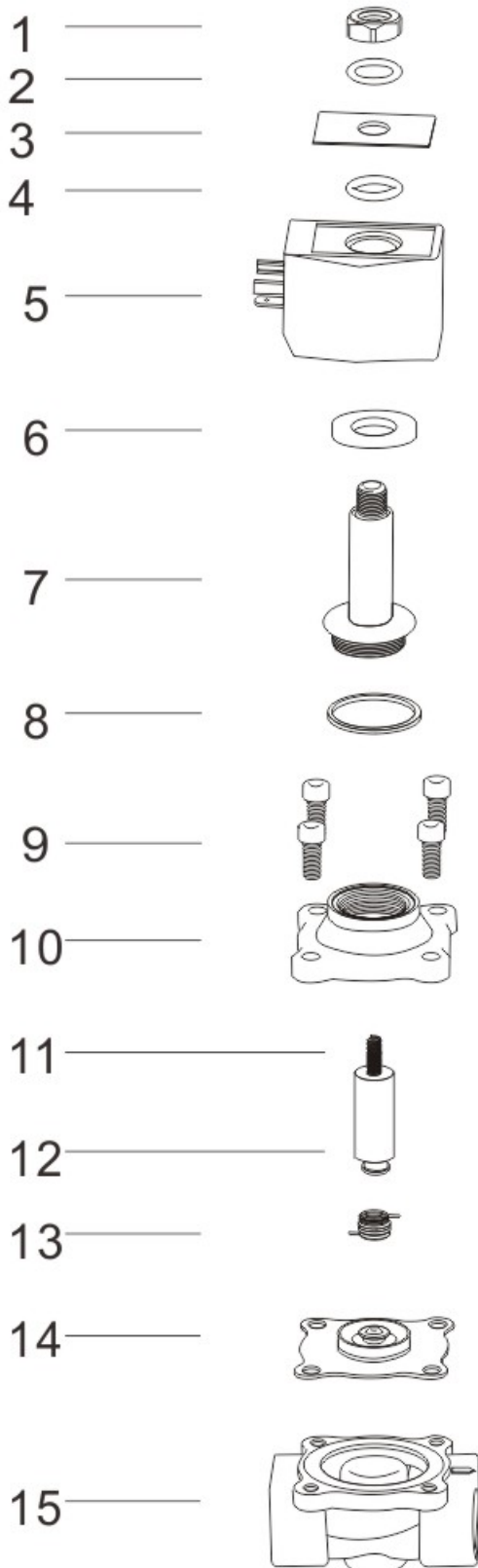
External Dimensions (Flange Type)



Model	A	B	C	ΦD	ΦE	N-ΦF	ΦG	H
ZS-15BF	106	12	2	95	45	4-14	65	138
ZS-20BF	106	12	2	102	56	4-14	75	141
ZS-25BF	140	14	2	115	62	4-14	85	160
ZS-32BF	152	15	2	135	76	4-18	100	215
ZS-40BF	152	15	2	145	84	4-18	110	215
ZS-50BF	195	16	2	160	98	4-18	125	220
ZS-65BF	250	19	3	185	118	4-18	145	308
ZS-80BF	270	19	3	202	134	4-18	160	320
ZS-100BF	342	21	3	222	162	8-18	180	345

ZS 2/2-Way Large diameter Direct Acting Solenoid Valve • Normally Closed

Components Chart



Solenoid Valve Wiring Chart

Code	Components
01	Locknut
02	Gasket
03	Label
04	O Ring
05	Coil
06	Plate
07	Plunger Tube Assembly
08	Plunger Tube Seal Ring
09	Bolts
10	Valve Cover
11	Plunger Spring
12	Plunger Assembly
13	Diaphragm Spring
14	Diaphragm Assembly
15	Valve Body
16	Plug