

# SCF Large diameter Emergency Cut Off Solenoid Valve

## Main Parameters

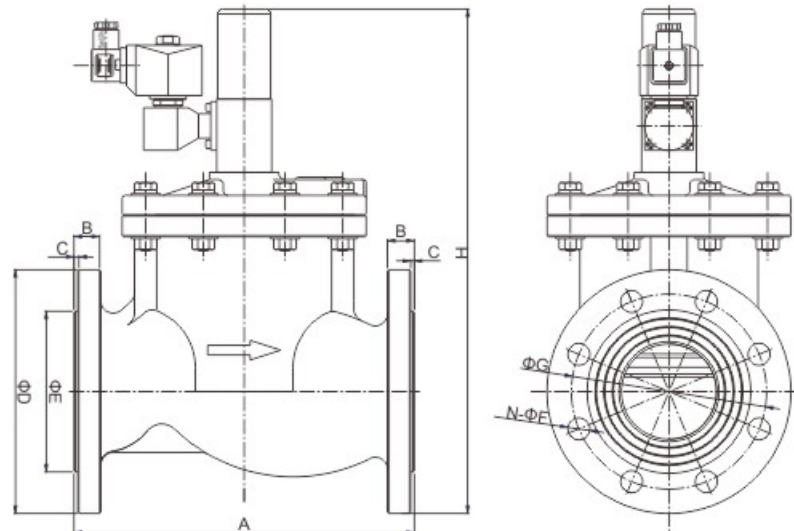
- 1: 2/2-way solenoid valve
- 2: Body: Iron
- 3: Seals: VITON (NBR)
- 4: Media: Gas, nature gas, lpg, etc
- 5: Ambient temp: -15°C ~ +60°C
- 6: Voltage: AC220V/50HZ, DC12V, DC24V,
- 7: On/off: < 1S
- 8: Working pressure: 0-6bar
- 9: Wounting: flow as arrow.



## valve slection list(Flange)

Pipe Size	Orifice $\phi$ mm	Factor CV	Working Pressure (bar)		Power		Coils Type	Model AC220V
			Min	Max	AC	DC		
					V A	W		
65F	63	52	0	6	57	25	D	SCF2DF02V6F65M
80F	80	81	0	6	57	25	D	SCF2DF02V6F80M
100F	96	127	0	6	57	25	D	SCF2DF02V6F100M

## External Dimensions Chart



Model	A	B	C	$\Phi$ D	$\Phi$ E	$\Phi$ F	$\Phi$ G	H	N	Weight (KG)
SCF-65F	240	20	3	185	118	18	145	392	4	23.7
SCF-80F	280	22	3	200	132	18	160	415	8	29.1
SCF-100F	320	25	3	220	160	18	180	447	8	44.8