

SLVM 3/2-way Direct Acting compact Series Solenoid Valve

Main Technical Parameters

3/2-way solenoid valve, Closed when de-energizes, open when energized.
 Serialized products, small in size. Large flow rate, widely use
 Body material: Brass
 Plunger tube material : Brass stainless steel
 Ambient temp: 0~65℃ fluid temp: temp: 0~120℃
 Voltage: AC220v DC 24v/6W (other voltage can special made)



- SLVM1 Normally Closed
- SLVM2 Normally Open
- SLVM3 Diverting
- SLVM4 Universal

Solenoid Valve Numbering System for Order

	1	2	3	4	5	6	7	8	9	10
	Valve Series	Mode of Operation	Coil Type	Coils Class	Voltage	Seal Material	Body Material	Pipe Size	Orifice	Options
E.G.	SLVM	1	D	H	02	N	1	A	C2	L
		1: Normally Closed 2: Normally Open 3: Diverting 4: Universal	D: DIN Standard Connections, Fully Encapsulated	H: Class	02= AC220V AC230V 50/60HZ 13= DC24V	N= NBR E= EPDM V= VITON	1= Forged Brass 3= SS316	A= 1/8" B= 1/4"	C2=1.5 02=02 C3=2.5 Top: φ 1.2	L= Neon Lamp N=NPT M=Top M5

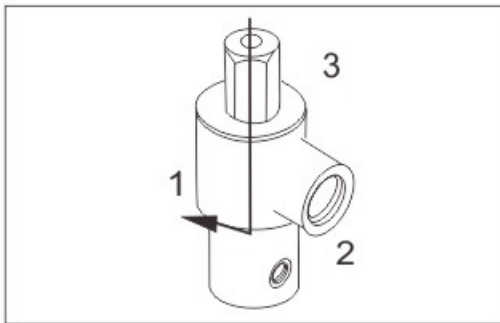
SLVM 3/2-way Direct Acting compact Series Solenoid Valve

Normally open

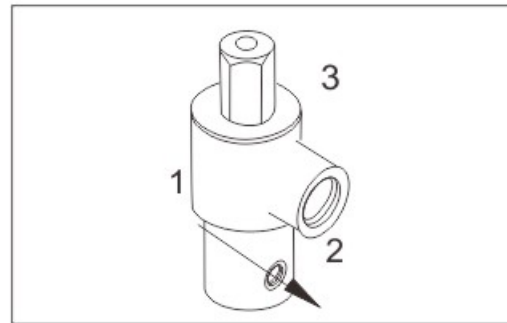
Pipe Size	Orifice mm	Top Orifice mm	CV		Working Pressure (bar)				Coil Type	Power		Coil Class	Model Code Follows Voltage are AC220V 50/60HZ	Weight (KG)					
					Min	Max		AC		DC	AC				DC	VA	W		
						Gas												Liquid	
						AC	DC											AC	DC
1/8"	1.5	1.2	0.07	0.05	0	10	10	10	10	D	12	12	H	SLVM2DH02N1AC2	0.13				
	2.0	1.2	0.13	0.05	0	5	5	5	5	D	12	12	H	SLVM2DH02N1A02					
	2.5	1.2	0.17	0.05	0	4	4	4	4	D	12	12	H	SLVM2DH02N1AC3					
1/4"	1.5	1.2	0.07	0.05	0	10	10	10	10	D	12	12	H	SLVM2DH02N1BC2	0.14				
	2.0	1.2	0.13	0.05	0	5	5	5	5	D	12	12	H	SLVM2DH02N1B02					
	2.5	1.2	0.17	0.05	0	4	4	4	4	D	12	12	H	SLVM2DH02N1BC3					

Normally Open

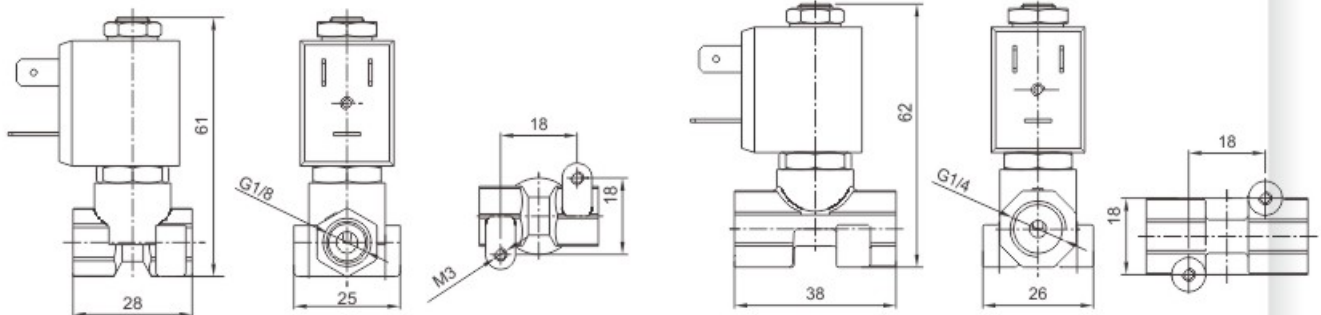
De-energized



Energized



Configuration dimension chart



Sanlixin Solenoid Valve

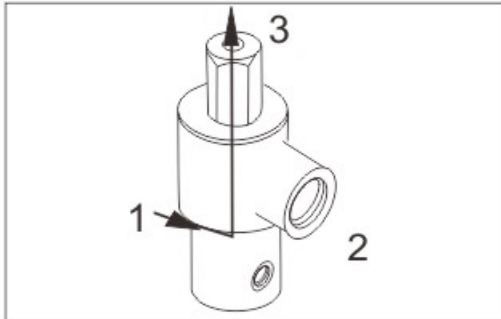
SLVM 3/2-way Direct Acting compact Series Solenoid Valve

Diverting

Pipe Size	Orifice mm	Top Orifice mm	CV		Working Pressure (bar)				Coil Type	Power		Coil Class	Model Code Follows Voltage are AC220V 50/60HZ	Weight (KG)	
					Min	Max				VA 220V	W 24V				
						Gas		Liquid							
						AC	DC	AC							DC
1/8 "	1.5	1.2	0.07	0.05	0	16	13	16	13	D	6	6	H	0.13	
	2.0	1.2	0.13	0.05	0	13	10	13	10	D	6	6	H		
	2.5	1.2	0.17	0.05	0	10	6	10	6	D	6	6	H		
1/4 "	1.5	1.2	0.07	0.05	0	16	13	16	13	D	6	6	H	0.14	
	2.0	1.2	0.13	0.05	0	13	10	13	10	D	6	6	H		
	2.5	1.2	0.17	0.05	0	10	6	10	6	D	6	6	H		

Diverting

De-energized



Energized



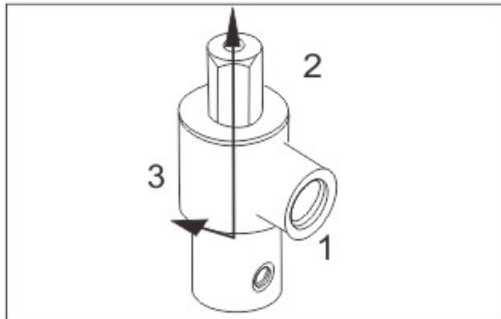
SLVM 3/2-way Direct Acting compact Series Solenoid Valve

Universal

Pipe Size	Orifice mm	Top Orifice mm	CV		Working Pressure (bar)				Coil Type	Power		Coil Class	Model Code Follows Voltage are AC220V 50/60HZ	Weight (KG)	
					Min	Max				AC 220V	DC 24V				
						Gas		Liquid							
						AC	DC	AC							DC
1/8"	1.5	1.2	0.07	0.05	0	5	4	5	4	D	12	12	H	0.13	
	2.0	1.2	0.13	0.05	0	4	3	4	3	D	12	12	H		
	2.5	1.2	0.17	0.05	0	3	2	3	2	D	12	12	H		
1/4"	1.5	1.2	0.07	0.05	0	5	4	5	4	D	12	12	H	0.14	
	2.0	1.2	0.13	0.05	0	4	3	4	3	D	12	12	H		
	2.5	1.2	0.17	0.05	0	3	2	3	2	D	12	12	H		

Universal

De-energized



Energized

