

ZXF 2/2-way Solenoid Axial Valve · Normally Closed

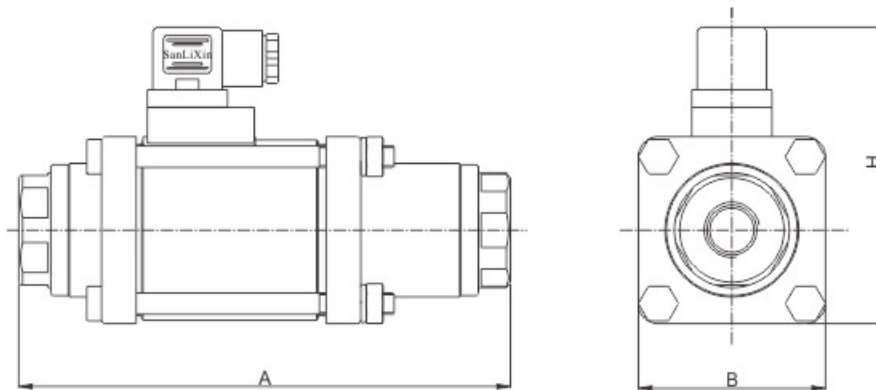
- 1: 2/2 way normally closed , closed when de-energized open , open when energized
- 2: Working pressure : 0 ~24 kgf/cm²
- 3: Ambient temp : 0~65 °C
- 4: Flow as the arrow ,mounts in any position ; best position is solenoid vertical and upright direction
- 5: Voltage : AC220V 50HZ DC24V +10%~-10%
- 6: Seals : PU
- 7: Body: Forged Brass



Solenoid Axial Valve Numbering System for Order

1	2	3	4	5	6	7	8	9	10
Valve Series	Mode of Operation	Coil Type	Coils Class	Voltage	Seal Material	Body Material	Pipe Size	Orifice	Options
ZXF	1	A	H	02	P	1	D	16	<input type="checkbox"/>
	1= Normally Closed	A=Metallic Housing DIN standard	H=HClass	02=AC220V 13=DC24V	P=PU	1=Forged Brass	D=1/2" E=3/4" G=1"	16=16.0 20=20.0 25=25.0	L= Neon Lamp N=NPT

Configuration dimension chart



Valve Selection List

Pipe Size	Orifice mm	CV Factor	Operating pressure differential (kgf/cm ²)						Max. Fluids Temp. °C	Coil H Class Type	Power		External Dimensions Length x Width x Height L x B x H	Model Code 220VAC 50/60HZ	Weight KG
			Min.	Max.				VA AC 220 V			W DC 24 V				
				Air		Water Hot water Liquids									
				AC	DC	AC	DC								
1/2"	16	5.5	0	64	64	16	16	120	A	50	50	184 x 70 x 112	ZXF1AH02P1D16	3.45	
3/4"	20	7.5	0	64	64	16	16	120	A	57	57	215 x 80 x 122	ZXF1AH02P1E20	5.3	
1"	25	13	0	64	64	16	16	120	A	77	77	246 x 90 x 132	ZXF1AH02P1G25	7.8	