

Sanlixin Solenoid Valve

SGH Compact Series 2/2-Way Direct Acting Solenoid Valve • Normally Closed

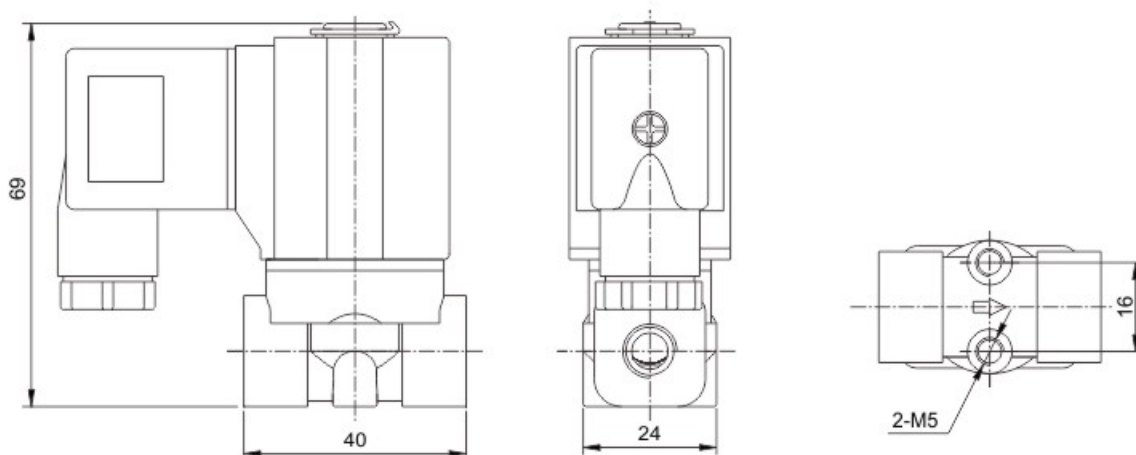
- 1:** 2-Way normally closed solenoid valve, Closed when de-energized, open when energized.
Serialized products, small in size, large flow rate, widely use
- 2:** Working pressure: 0~20kgf/cm²
- 3:** Body material:brass
- 4:** Ambient Temp. 0°C~65°C
- 5:** Voltage: AC220V/50Hz DC24V -10%~+10% Voltage Tolerance
- 6:** This series valves are offered NBR、VITON、EPDM etc
- 7:** Medium:gas、liquid<20cst
- 8:** Flow as the arrow, mounts in any position; Best position is solenoid vertical and upright direction.



Solenoid Valves Numbering System for Order

Position description	1	2	3	4	5	6	7	8	9	10
	Valve Series	Mode of Operation	Coil Type	Coil Class	Voltage	Seal Material	Body Material	Pipe Size	Orifice (mm)	Options
E.G.	SGH	1	D	F	02	N	1	E	20	□
		1: Normally Closed 2: Normally Open	D: DIN Standard Connections, Fully Encapsulated	F:F Class	02= AC220V 13= DC24V	N= NBR E= EPDM V= VITON	1= Forged Brass	A= G1/8" B= G1/4"	C2=1.5 02=2.0 03=3.0 04=4.0	L= Neon lamp N= NPT thread

Construction, External Dimensions Chart



SGH Compact Series 2/2-Way Direct Acting Solenoid Valve • Normally Closed

Valve Selection List

Pipe Size	Orifice mm	CV Factor	Operating pressure differential (kgf/cm ²)							Coil Type	Coil Class	Max. Fluids Temp. °C	Power		Model Code Follows Voltage are 220VAC Seal material:NBR Forged Brass	Weight KG
			Min.	Max.									VA	W		
				Air Gas		Water Liquids		Light oil ≤20CST					AC 220V	DC 24V		
				AC	DC	AC	DC	AC	DC							
1/8"	1.5	0.1	0	20	20	20	20	20	20	D	F	80	15	9	SGH1DF02N1AC2	0.31
	1.5	0.1	0	20	20	20	20	20	20	D	F	120	15	9	SGH1DF02E1AC2	0.31
	1.5	0.1	0	20	20	20	20	20	20	D	F	120	15	9	SGH1DF02V1AC2	0.31
	2.0	0.18	0	20	20	20	20	20	20	D	F	80	15	9	SGH1DF02N1A02	0.31
	2.0	0.18	0	20	20	20	20	20	20	D	F	120	15	9	SGH1DF02E1A02	0.31
	2.0	0.18	0	20	20	20	20	20	20	D	F	120	15	9	SGH1DF02V1A02	0.31
	3.0	0.33	0	10	7	10	7	10	7	D	F	80	15	9	SGH1DF02N1A03	0.31
	3.0	0.33	0	10	7	10	7	10	7	D	F	120	15	9	SGH1DF02E1A03	0.31
	3.0	0.33	0	10	7	10	7	10	7	D	F	120	15	9	SGH1DF02V1A03	0.31
	4.0	0.55	0	6	4	6	4	6	4	D	F	80	15	9	SGH1DF02N1A04	0.31
	4.0	0.55	0	6	4	6	4	6	4	D	F	120	15	9	SGH1DF02E1A04	0.31
4.0	0.55	0	6	4	6	4	6	4	D	F	120	15	9	SGH1DF02V1A04	0.31	
1/4"	1.5	0.1	0	20	20	20	20	20	20	D	F	80	15	9	SGH1DF02N1BC2	0.3
	1.5	0.1	0	20	20	20	20	20	20	D	F	120	15	9	SGH1DF02E1BC2	0.3
	1.5	0.1	0	20	20	20	20	20	20	D	F	120	15	9	SGH1DF02V1BC2	0.3
	2.0	0.18	0	20	20	20	20	20	20	D	F	80	15	9	SGH1DF02N1B02	0.3
	2.0	0.18	0	20	20	20	20	20	20	D	F	120	15	9	SGH1DF02E1B02	0.3
	2.0	0.18	0	20	20	20	20	20	20	D	F	120	15	9	SGH1DF02V1B02	0.3
	3.0	0.33	0	10	7	10	7	10	7	D	F	80	15	9	SGH1DF02N1B03	0.3
	3.0	0.33	0	10	7	10	7	10	7	D	F	120	15	9	SGH1DF02E1B03	0.3
	3.0	0.33	0	10	7	10	7	10	7	D	F	120	15	9	SGH1DF02V1B03	0.3
	4.0	0.55	0	6	4	6	4	6	4	D	F	80	15	9	SGH1DF02N1B04	0.3
	4.0	0.55	0	6	4	6	4	6	4	D	F	120	15	9	SGH1DF02E1B04	0.3
	4.0	0.55	0	6	4	6	4	6	4	D	F	120	15	9	SGH1DF02V1B04	0.3