

# Sanlixin Solenoid Valve

## SLQF 2/2-Way Solenoid Valve

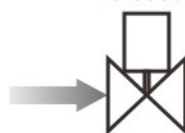
- 1:** 2-Way normally closed solenoid valve; Closed when de-energized, open when energized.
- 2:** Body material: brass
- 3:** Ambient Temp. 0°C~65°C
- 4:** Serialized products, small in size, large flow rate, widely use.
- 5:** Flow as the arrow, mounts in any position; Best position is Solenoid vertical and upright direction.
- 6:** Voltage: AC220V 50/60Hz DC24V +10%~-10%  
Voltage Tolerance: + 10% to -10%applicable voltage.
- 7:** Seal material: NBR VITON EPDM TEFLON to provide on-off control of various fluid.



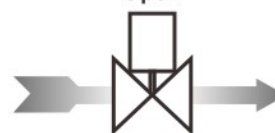
### Solenoid Valves Numbering System for Order

Position description	1	2	3	4	5	6	7	8	9	10
	Valve Series	Mode of Operation	Coil Type	Coil Class	Voltage	Seal Material	Body Material	Pipe Size	Orifice (φ mm)	Options
E.G.	<b>SLA</b>	<b>1</b>	<b>A</b>	<b>H</b>	<b>02</b>	<b>T</b>	<b>1</b>	<b>D</b>	<b>15</b>	<input type="checkbox"/>
	<b>SLQF Series</b>	1: Normally Closed	A: Metallic Housing, DIN Standard  D: DIN Standard Connections, Fully Encapsulated	F:F Class  H:H Class	02= AC220V AC230V  13=DC24V 07= 24-220V AC/DC  Contact the company for other voltage	N=NBR  V=VITON  E=EPDM  T=PTFE	1=Forged Brass	C=3/8" D=1/2" E=3/4" G=1" H=1 1/4 " J=1 1/2 "	15=15.0 20=20.0 25=25.0 40=40.0	L: Neon Lamp  N: NPT Connection  P: PT  R: RC

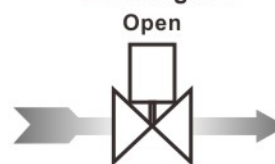
Normally Closed



Energized Closed

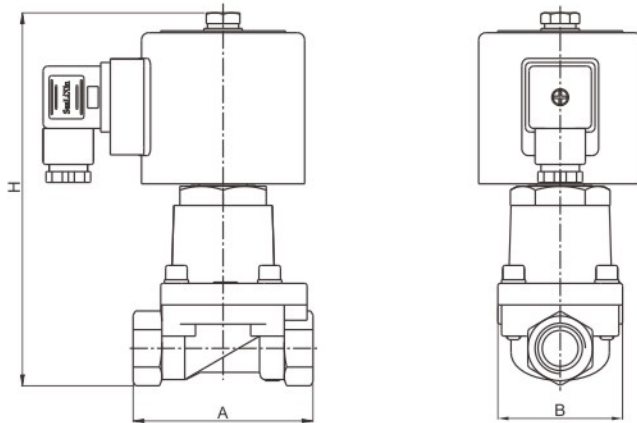


De-energized Open



# SLQF 2/2-Way Solenoid Valve

## External Dimensions Chart



Orifice (mm)	A	B	C
15	75	52	156
20	85	60	174
25	100	69	185
40	130	92	220

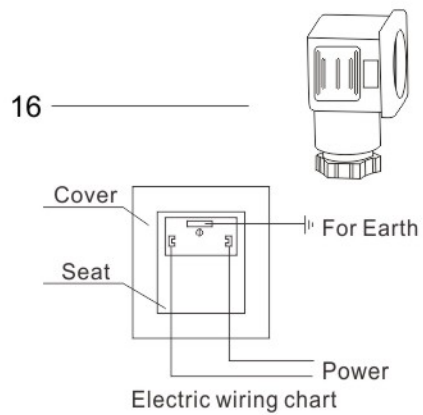
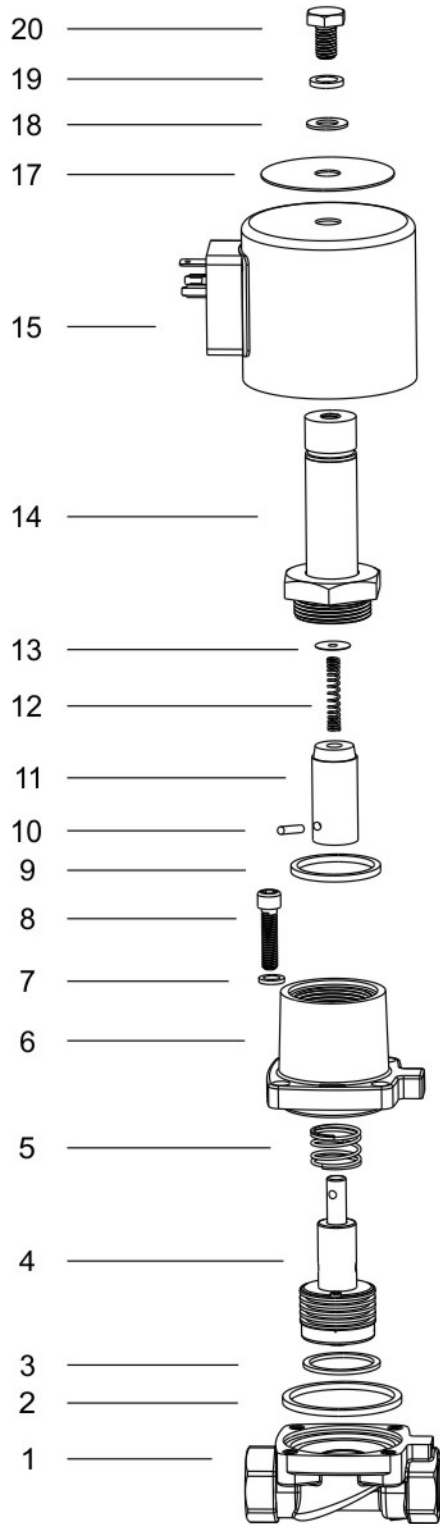
## Valve Selection List

Pipe Connection	Orifice (mm)	CV Factor	Operating pressure differential ( kgf/cm <sup>2</sup> )								Coil Type	Coil Class	Max. Fluids Temp. °C	Power consumption		Model Code Follows Voltage are 220VAC 50/60HZ Brass	Weight (KG)		
			Min.	Max.										AC/DC	VA			W	
				Air Gas		Water Liquids		Light oil ≤20CST		Steam									220V
				AC	DC	AC	DC	AC	DC										
3/8"	15	4.2	0	16	16	16	16	16	16		A	F	80	54	12	SLQF1AF07N1C15	1.55		
	15	4.2	0	16	16	16	16	16	16		A	F	135	54	12	SLQF1AF07E1C15	1.55		
	15	4.2	0	16	16	16	16	16	16		A	F	110	54	12	SLQF1AF07V1C15	1.55		
	15	4.2	0	16	16	16	16	16	16	16	A	H	200	21	19	SLQF1AH02T1C15	1.95		
1/2"	15	4.5	0	16	16	16	16	16	16		A	F	80	54	12	SLQF1AF07N1D15	1.5		
	15	4.5	0	16	16	16	16	16	16		A	F	135	54	12	SLQF1AF07E1D15	1.5		
	15	4.5	0	16	16	16	16	16	16		A	F	110	54	12	SLQF1AF07V1D15	1.5		
	15	4.5	0	16	16	16	16	16	16	16	A	H	200	21	19	SLQF1AH02T1D15	1.9		
3/4"	20	9.0	0	16	16	16	16	16	16		A	F	80	54	12	SLQF1AF07N1E20	1.9		
	20	9.0	0	16	16	16	16	16	16		A	F	135	54	12	SLQF1AF07E1E20	1.9		
	20	9.0	0	16	16	16	16	16	16		A	F	110	54	12	SLQF1AF07V1E20	1.9		
	20	9.0	0	16	16	16	16	16	16	16	A	H	200	21	19	SLQF1AH02T1E20	2.3		
1"	25	13	0	16	16	16	16	16	16		A	F	80	54	12	SLQF1AF07N1G25	2.4		
	25	13	0	16	16	16	16	16	16		A	F	135	54	12	SLQF1AF07E1G25	2.4		
	25	13	0	16	16	16	16	16	16		A	F	110	54	12	SLQF1AF07V1G25	2.4		
	25	13	0	16	16	16	16	16	16	16	A	H	200	21	19	SLQF1AH02T1G25	2.8		
1 1/4"	40	26	0	16	16	16	16	16	16		D	F	80	54	38	SLQF1DF02N1H40	6.1		
	40	26	0	16	16	16	16	16	16		D	F	135	54	38	SLQF1DF02E1H40	6.1		
	40	26	0	16	16	16	16	16	16		D	F	110	54	38	SLQF1DF02V1H40	6.1		
	40	26	0	16	16	16	16	16	16	16	A	H	200	54	38	SLQF1AH02T1H40	6.1		
1 1/2"	40	29	0	16	16	16	16	16	16		D	F	80	54	38	SLQF1DH02N1J40	6.0		
	40	29	0	16	16	16	16	16	16		D	F	135	54	38	SLQF1DH02E1J40	6.0		
	40	29	0	16	16	16	16	16	16		D	F	110	54	38	SLQF1DH02V1J40	6.0		
	40	29	0	16	16	16	16	16	16	16	A	H	200	54	38	SLQF1AH02T1J40	6.0		

# Sanlixin Solenoid Valve

## SLQF 2/2-Way Solenoid Valve

### Components Chart



Code	Components
1	Valve Body
2	Body Seals Ring
3	Piston Ring
4	Piston Assembly
5	Piston Spring
6	Valve Cover
7	Spring washer
8	Bolts
9	Plunger Tube Seal Ring
10	Nut
11	Plunger Assembly
12	Spring
13	Plate
14	Plunger Tube Assembly
15	Coil
16	Connector
17	Label
18	Plate
19	Spring washer
20	Lock Nut