

SBLF Series Gas station special Solenoid Valve

This valve special used for gas. oil station recycle.
Match GB3836 and GB3836.9 standard.

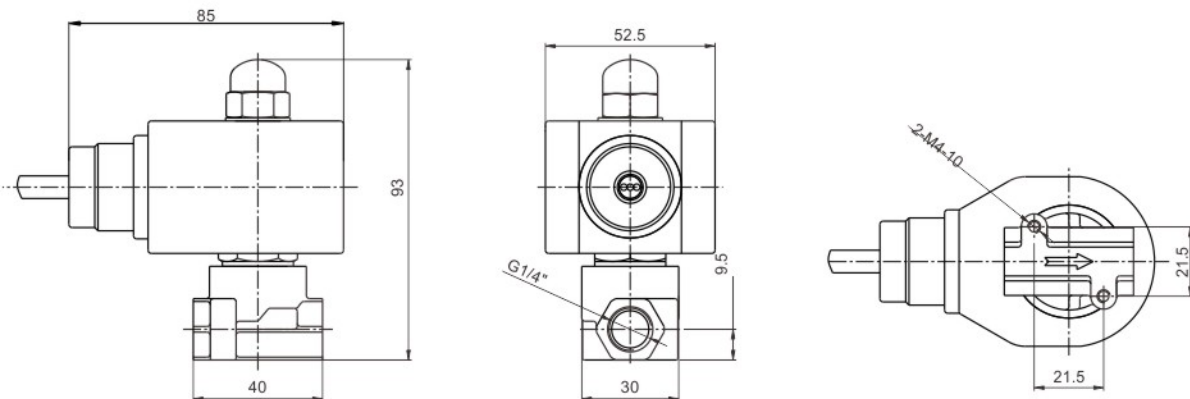
1. Body material: Brass
2. Voltage: 24VDC+/-10%
3. Ambient temperature: -40°C~+55°C
4. Pipe size: 1/8~1/4
5. Power: 8.2W
6. Surface High temperature: T3
7. Technical characteristics:
 - Late delay < 8% repeatability < 5% Sensitivity < 3%
8. Voltage range: 24VDC pulse width modulation (600 to 800Hz)
or PWM pulse width scheduling control.
9. Ex mb IIC T3 Gb



Solenoid Valves Numbering System for Order

Position description	1	2	3	4	5	6	7	8	9	10
	Valve Series	Mode of Operation	Coil Type	Coil Class	Voltage	Seal Material	Body Material	Pipe Size	Orifice (φ mm)	Options
E.G.	SBLF	1	X	F	13	V	1	B	C7	<input type="checkbox"/>
	SBLF Series	1: Normally Closed	X: Ex-proof coil	F: F Class	13=DC24V	V=VITON	1=Forged Brass	A=1/8 B=1/4	C7=5.5	L: Neon Lamp N: NPT Connection P: PT R: RC

External Dimensions Chart



Valve Selection List

Pipe Connection	Orifice (mm)	CV Factor	Operating pressure differential (kgf/cm ²)		Coil Type	Coil Class	Power consumption DC 24V	Max. Fluids Temp. °C	Model Code	Weight (KG)
			Min.	Max.					Brass	
1/8"	5.5	0.65	0	0.5	X	F	8.2	130	SBLF1XF13V1AC7	0.8
1/4"	5.5	0.65	0	0.5	X	F	8.2	130	SBLF1XF13V1BC7	0.8