

Sanlixin Solenoid Valve

SMG Series 2/2-way High Pressure Solenoid Valve-Normally Closed

Solenoid Valves Model Numbering System for Order

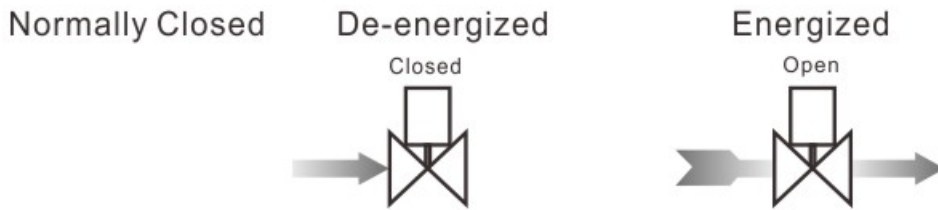
1	2	3	4	5	6	7	8	9	10
Valve Series	Mode of Operation	Coil Type	Coil Class	Voltage	Seal Material	Body Material	Pipe Size	Orifice (mm)	Options
SMG	1	M	F	02	N	1	B	03	□
SMG	1:Normally Closed	M=SM Series Coil	F=F Class	02=	N=NBR	1= Forged brass	A=1/8 " B=1/4 "	02=2.0 C3=2.5 03=3.0 08=8.0	L= Neon lamp
				AC220V AC230V					
				01=	V=VITON	3=SS316	A=1/8 " B=1/4 "	C2=1.5 02=2.0 C3=2.5 03=3.0 08=8.0	N=NPT P=PT
				AC110V AC120V					
				13=DC24V					
				05=AC24V	E=EPDM T=PTFE K=PEEK	1= Forged brass	C=3/8"	03=3.0 04=4.0 08=8.0	R=RC
						3=SS316			
		1= Forged brass	C=3/8"	08=8.0	T=Timer				
		4=SS304				D=1/2"	15=15.0		
						E=3/4"	20=20.0		
						G=1"	25=25.0		

SMG Series Coil parameters tables

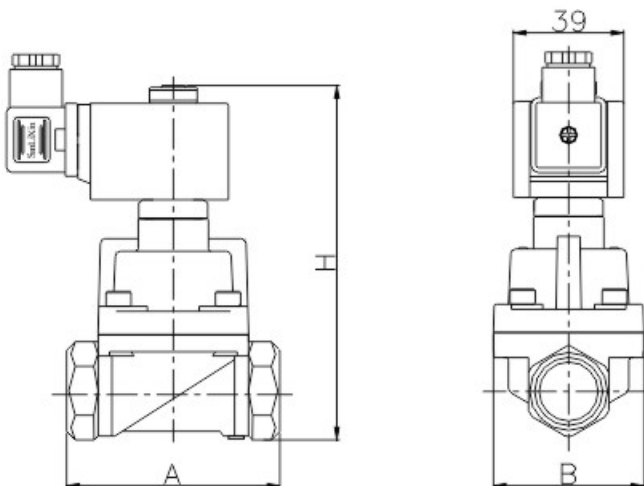
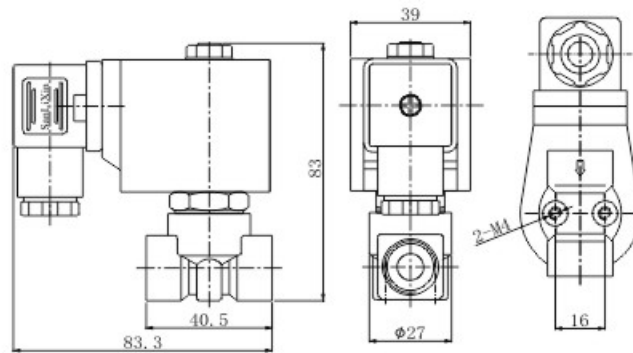
Coils Model code	Voltage	Power		Electricity		Orifice mm
		Inrush	Holding	Inrush	Holding	
SM-3101	AC220V	78VA	4.5VA	350mA	20mA	Φ 1.5~ Φ 4.0 Φ 15~ Φ 25
SM-3102	AC110V	72VA	5.0VA	660mA	45mA	
SM-3106	DC24V	50W	7.2W	2185mA	350mA	
SM-3104	AC24V	19VA	6.5VA	940mA	310mA	
SM-4101	AC220V	130VA	6VA	590mA	28mA	Φ 8.0
SM-4102	AC110V	95VA	8.0VA	900mA	75mA	
SM-4106	DC24V	50W	9W	2185mA	385mA	
SM-4104	AC24V	19VA	7.0VA	930mA	360mA	

SMG Series 2/2-way High Pressure Solenoid Valve-Normally Closed

1. 2/2-way normally closed direct acting solenoid valve, closed when de-energized, open when energized.
2. The product is special design, power will be normal type 1/4, low temperature, small in size, large flow rate, widely use.
3. Body material: forged brass, SS316
4. Ambient temp.: 0°C~65°C Fluids temp.: 0°C~110°C
5. Flow as the arrow, mounts in any position; Best position is solenoid vertical and upright direction.
6. Voltage: AC 220V/230V/110V DC 24V Voltage Tolerance: +10% to -10% applicable voltage
7. This series valve are offered NBR, VITON, EPDM etc for seals and diaphragm to provide on-off various fluids.



$\phi 1.5$ 、 $\phi 2$ 、 $\phi 2.5$ 、 $\phi 3$ 、 $\phi 4$ (1/8"、1/4"、3/8")



Orifice (mm)	A	B	H
15	75	52	132
20	85	60	142
25	100	72	154

Sanlixin Solenoid Valve

SMG Series 2/2-way High Pressure Solenoid Valve-Normally Closed



Solenoid Valves Model Numbering System for Order

Pipe Conn-ection	Orifice mm	CV Factor	Operating pressure differential(kgf/cm ²)						Coil Type	Coil Class	Max. fluids Temp. °C	Model Code		Weight Kg	
			Min.	Max.								Follows Voltage are 220VAC seal material is VITON			
				Air Gas		Water Hot water Liquids		Light oil ≤20CST				Forged Brass	Stainless Steel		
				AC	DC	AC	DC	AC							DC
1/8"	1.5	0.08	0	190	170	190	170	190	170	M	F	110	-----	SMG1MF02V3AC2	0.48
	2.0	0.14	0	120	100	120	100	120	100	M	F	110	SMG1MF02V1A02	SMG1MF02V3A02	
	2.5	0.23	0	80	80	80	80	80	80	M	F	110	SMG1MF02V1AC3	SMG1MF02V3AC3	
	3.0	0.25	0	50	50	50	50	50	50	M	F	110	SMG1MF02V1A03	SMG1MF02V3A03	
1/4"	1.5	0.08	0	190	170	190	170	190	170	M	F	110	-----	SMG1MF02V3BC2	0.47
	2.0	0.14	0	120	100	120	100	120	100	M	F	110	SMG1MF02V1B02	SMG1MF02V3B02	
	2.5	0.23	0	80	80	80	80	80	80	M	F	110	SMG1MF02V1BC3	SMG1MF02V3BC3	
	3.0	0.25	0	50	50	50	50	50	50	M	F	110	SMG1MF02V1B03	SMG1MF02V3B03	
3/8"	8.0	1.0	1	110	90	110	90	110	90	M	F	110	SMG1MF02V1B08	SMG1MF02V3B08	1.18
	3.0	0.25	0	50	50	50	50	50	50	M	F	110	SMG1MF02V1C03	SMG1MF02V3C03	1.17
	4.0	0.6	0	30	24	30	24	30	24	M	F	110	SMG1MF02V1C04	SMG1MF02V3C04	0.47
	8.0	1.2	1	110	90	110	90	110	90	M	F	110	SMG1MF02V1C08	SMG1MF02V4C08	1.16
1/2"	15	4.2	1	100	100	100	100	100	100	M	F	110	SMG1MF02V1C15	SMG1MF02V4C15	1.35
	8.0	1.2	1	110	90	110	90	110	90	M	F	110	SMG1MF02V1D08	SMG1MF02V4D08	1.15
3/4"	15	4.2	1	100	100	100	100	100	100	M	F	110	SMG1MF02V1D15	SMG1MF02V4D15	1.25
	20	7	1	80	80	80	80	80	80	M	F	110	SMG1MF02V1E20	SMG1MF02V4E20	1.53
1"	25	11	1	65	65	65	65	65	65	M	F	110	SMG1MF02V1G25	SMG1MF02V4G25	2.27

∅8 (1/4"、3/8"、1/2")

