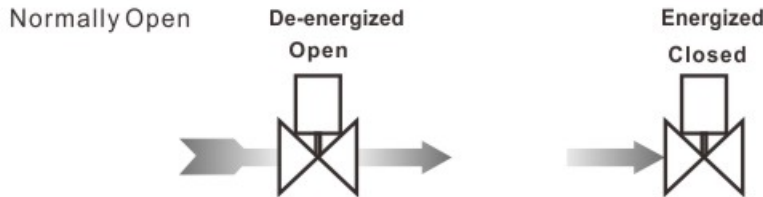


# ZS 2/2-Way Direct Acting Solenoid Valve · Normally Open

- 1: 2-Way normally open solenoid valve, open when de-energized, Closed when energized.
- 2: Body material: SS304 (standard). SS316 (special made)
- 3: Max. Allowable pressure 10kgf/cm<sup>2</sup>; Ambient Temp. 0°C~65°C
- 4: Serialized products, small in size, large flow rate, widely use.
- 5: Flow as the arrow, mounts in any position; Best position is Solenoid vertical and upright direction.
- 6: Voltage: 220VAC/230VAC/240VAC/110VAC/24VAC 50/60Hz 24VDC/12VDC;  
Voltage Tolerance: +10% to -10% applicable voltage
- 7: This series valves are offered NBR, VITON, EPDM etc for Seals and diaphragm to provide on-off control of various fluids.



## Valve Selection List

Pipe Conn-ection	Orifice mm	CV Factor	Operating pressure differential ( kgf/cm <sup>2</sup> )								Max. Fluids Temp.	Coil F Class Type	Power consumption		External Dimensions Length x Width x Height A x B x H	Model Code Follows Voltage are 220VAC 50/60HZ	Weight (KG)	
			Min.	Max.						AC			DC	VA				W
				Air Gas		Water Hot water Liquids		Light oil ≤20CST										
				AC	DC	AC	DC	AC	DC									
3/8 "	4.0	0.6	0	4	4	4	4	3	3	80	D	33	20	52.5×32.5×115	ZS2DF02N4C04	0.7		
	4.0	0.6	0	4	4	4	4			120	D	33	20	52.5×32.5×115	ZS2DF02E4C04	0.7		
	4.0	0.6	0	4	4	4	4	3	3	120	D	33	20	52.5×32.5×115	ZS2DF02V4C04	0.7		
	16	4.8	0	5	5	5	5	3	3	80	D	33	20	69×57×135	ZS2DF02N4C16	1.1		
	16	4.8	0	5	5	5	5			120	D	33	20	69×57×135	ZS2DF02E4C16	1.1		
	16	4.8	0	5	5	5	5	3	3	120	D	33	20	69×57×135	ZS2DF02V4C16	1.1		
1/2 "	16	4.8	0	5	5	5	5	3	3	80	D	33	20	69×57×135	ZS2DF02N4D16	1.05		
	16	4.8	0	5	5	5	5			120	D	33	20	69×57×135	ZS2DF02E4D16	1.05		
	16	4.8	0	5	5	5	5	3	3	120	D	33	20	69×57×135	ZS2DF02V4D16	1.05		
3/4 "	20	7.6	0	5	5	5	5	3	3	80	D	33	20	73×57×142	ZS2DF02N4E20	1.2		
	20	7.6	0	5	5	5	5			120	D	33	20	73×57×142	ZS2DF02E4E20	1.2		
	20	7.6	0	5	5	5	5	3	3	120	D	33	20	73×57×142	ZS2DF02V4E20	1.2		

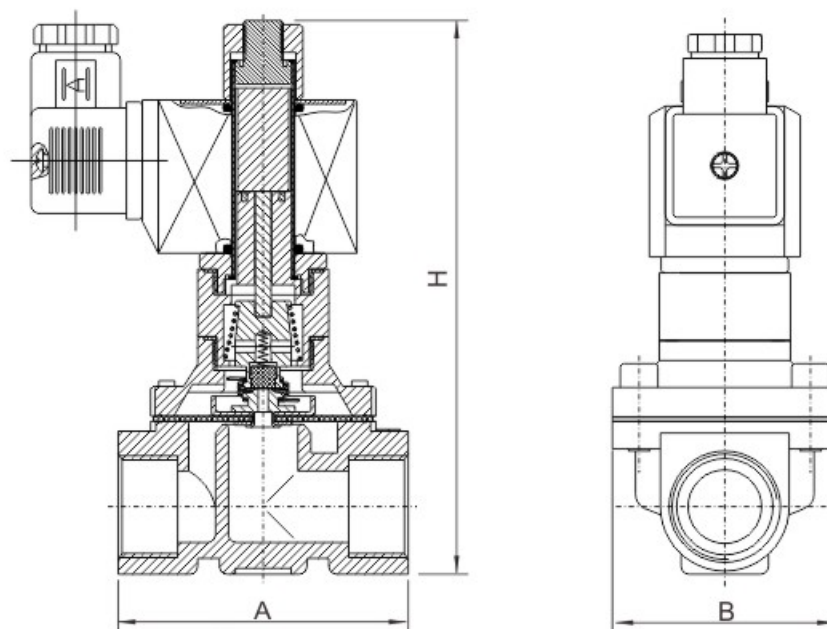
# Sanlixin Solenoid Valve

## ZS 2/2-Way Direct Acting Solenoid Valve · Normally Open

### Valve Selection List (Female Thread)

Pipe Connection	Orifice mm	CV Factor	Operating pressure differential ( kgf/cm <sup>2</sup> )							Max. Fluids Temp.	Coil F Class Type	Power consumption		External Dimensions Length x Width x Height	Model Code Follows Voltage are 220VAC 50/60HZ	Weight (KG)
			Min.	Max.								VA	W			
				Air Gas		Water Hot water Liquids		Light oil ≤20CST								
				AC	DC	AC	DC	AC	DC							
1"	25	12	0	5	5	5	3	3	3	80	D	33	20	99×77.5×150	ZS2DF02N4G25	1.6
	25	12	0	5	5	5	3			120	D	33	20	99×77.5×150	ZS2DF02E4G25	1.6
	25	12	0	5	5	5	3	3	3	120	D	33	20	99×77.5×150	ZS2DF02V4G25	1.6
1 1/4"	32	24	0	5	5	5	3	3	3	80	D	70	55	112×86.5×180	ZS2DF02N4H32	2.6
	32	24	0	5	5	5	3			120	D	70	55	112×86.5×180	ZS2DF02E4H32	2.6
	32	24	0	5	5	5	3	3	3	120	D	70	55	112×86.5×180	ZS2DF02V4H32	2.6
1 1/2"	40	29	0	5	5	5	3	3	3	80	D	70	55	123×94×190	ZS2DF02N4J40	3.2
	40	29	0	5	5	5	3			120	D	70	55	123×94×190	ZS2DF02E4J40	3.2
	40	29	0	5	5	5	3	3	3	120	D	70	55	123×94×190	ZS2DF02V4J40	3.2
2"	50	48	0	5	5	5	3	3	3	80	D	70	55	168×123×216	ZS2DF02N4K50	5.2
	50	48	0	5	5	5	3			120	D	70	55	168×123×216	ZS2DF02E4K50	5.2
	50	48	0	5	5	5	3	3	3	120	D	70	55	168×123×216	ZS2DF02V4K50	5.2

### Construction, External Dimensions Chart



# ZS 2/2-Way Direct Acting Solenoid Valve · Normally Open



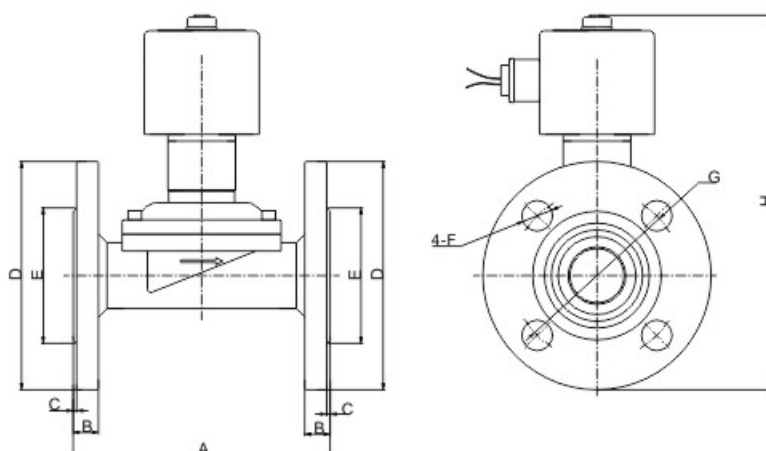
Valve Selection List (Flange)

Orifice mm	CV Factor	Operating pressure differential ( kgf/cm <sup>2</sup> )								Max. Fluids Temp.	Coil F Class Type	Power consumption		Model Code  220VAC 50/60HZ	Weight  (KG)
		Min.	Max.						VA AC 220 V			W DC 24 V			
			Air Gas		Water Hot water Liquids		Light oil								
			AC	DC	AC	DC	AC	DC							
15	4.8	0	5	5	5	5	3	3	80	D	33	20	ZS2DF02N4F15	1.95	
15	4.8	0	5	5	5	5			120	D	33	20	ZS2DF02E4F15	1.95	
15	4.8	0	5	5	5	5	3	3	120	D	33	20	ZS2DF02V4F15	1.95	
20	7.6	0	5	5	5	5	3	3	80	D	33	20	ZS2DF02N4F20	2.15	
20	7.6	0	5	5	5	5			120	D	33	20	ZS2DF02E4F20	2.15	
20	7.6	0	5	5	5	5	3	3	120	D	33	20	ZS2DF02V4F20	2.15	
25	12	0	5	5	5	5	3	3	80	D	33	20	ZS2DF02N4F25	3.05	
25	12	0	5	5	5	5			120	D	33	20	ZS2DF02E4F25	3.05	
25	12	0	5	5	5	5	3	3	120	D	33	20	ZS2DF02V4F25	3.05	
32	24	0	5	5	5	5	3	3	80	D	70	55	ZS2DF02N4F32	5.4	
32	24	0	5	5	5	5			120	D	70	55	ZS2DF02E4F32	5.4	
32	24	0	5	5	5	5	3	3	120	D	70	55	ZS2DF02V4F32	5.4	
40	29	0	5	5	5	5	3	3	80	D	70	55	ZS2DF02N4F40	6.4	
40	29	0	5	5	5	5			120	D	70	55	ZS2DF02E4F40	6.4	
40	29	0	5	5	5	5	3	3	120	D	70	55	ZS2DF02V4F40	6.4	
50	48	0	5	5	5	5	3	3	80	D	70	55	ZS2DF02N4F50	8.6	
50	48	0	5	5	5	5			120	D	70	55	ZS2DF02E4F50	8.6	
50	48	0	5	5	5	5	3	3	120	D	70	55	ZS2DF02V4F50	8.6	

## Sanlixin Solenoid Valve

### ZS 2/2-Way Direct Acting Solenoid Valve · Normally Open

#### External Dimensions (Flange Series)



Model	A	B	C	$\phi$ D	$\phi$ E	$\phi$ F	$\phi$ G	H
ZS-15BHF	106	12	2	95	45	4-14	65	162
ZS-20BHF	106	12	2	102	56	4-14	75	165
ZS-25BHF	140	14	2	115	62	4-14	85	180
ZS-32BHF	152	15	2	135	76	4-18	100	235
ZS-40BHF	152	15	2	145	84	4-18	110	240
ZS-50BHF	195	16	2	160	98	4-18	125	255