

# SLP Compact Series 2/2-Way Solenoid Valve

## Solenoid Valves Numbering System for Order

Position description	1	2	3	4	5	6	7	8	9	10
	Valve Series	Mode of Operation	Coil Type	Coil Class	Voltage	Seal Material	Body Material	Pipe Size	Orifice (mm)	Options
E.G.	<b>SLP</b>	<b>1</b>	<b>D</b>	<b>F</b>	<b>02</b>	<b>N</b>	<b>1</b>	<b>E</b>	<b>20</b>	<input type="checkbox"/>
	<b>SLP Series</b>	1: Normally Closed  2: Normally Open	D: DIN Standard Connections, Fully Encapsulated  N: Lead Wires, Water-tight, Fully Encapsulated  X: Explosion-proof  S: NASS Coil  M: SM Coil	F:F Class  H:H Class	02= AC220V AC230V  01= AC110V AC120V  05= AC24V  12= DC12V  13= DC24V  Contact the Factory for Others	N: NBR  V: VITON  E: EPDM	1= Forged Brass  3= SS316  7= Plastic  9=Forged Braaa  5=Stainless Steel	A=1/8" B=1/4"  B=1/4" C=3/8"  C=3/8" D=1/2"  E=3/4" G=1" H=1 1/4" J=1 1/2" K=2"  F= Flange Connection  A=1/8" B=1/4"	03=3.0 05=5.0 06=6.0  10=10.0 C9=10.5  03=3.0 04=4.0  05=5.0 06=6.0 10=10.0 C9=10.5 13=13.0  20=20.0 25=25.0 35=35.0 40=40.0 50=50.0  25=25.0 35=35.0 40=40.0 50=50.0  01=1.0 C2=1.5 C3=2.5 03=3.0 04=4.0	M= Manual Override  L= Neon lamp  K= Mounting Bracket  N= NPT thread

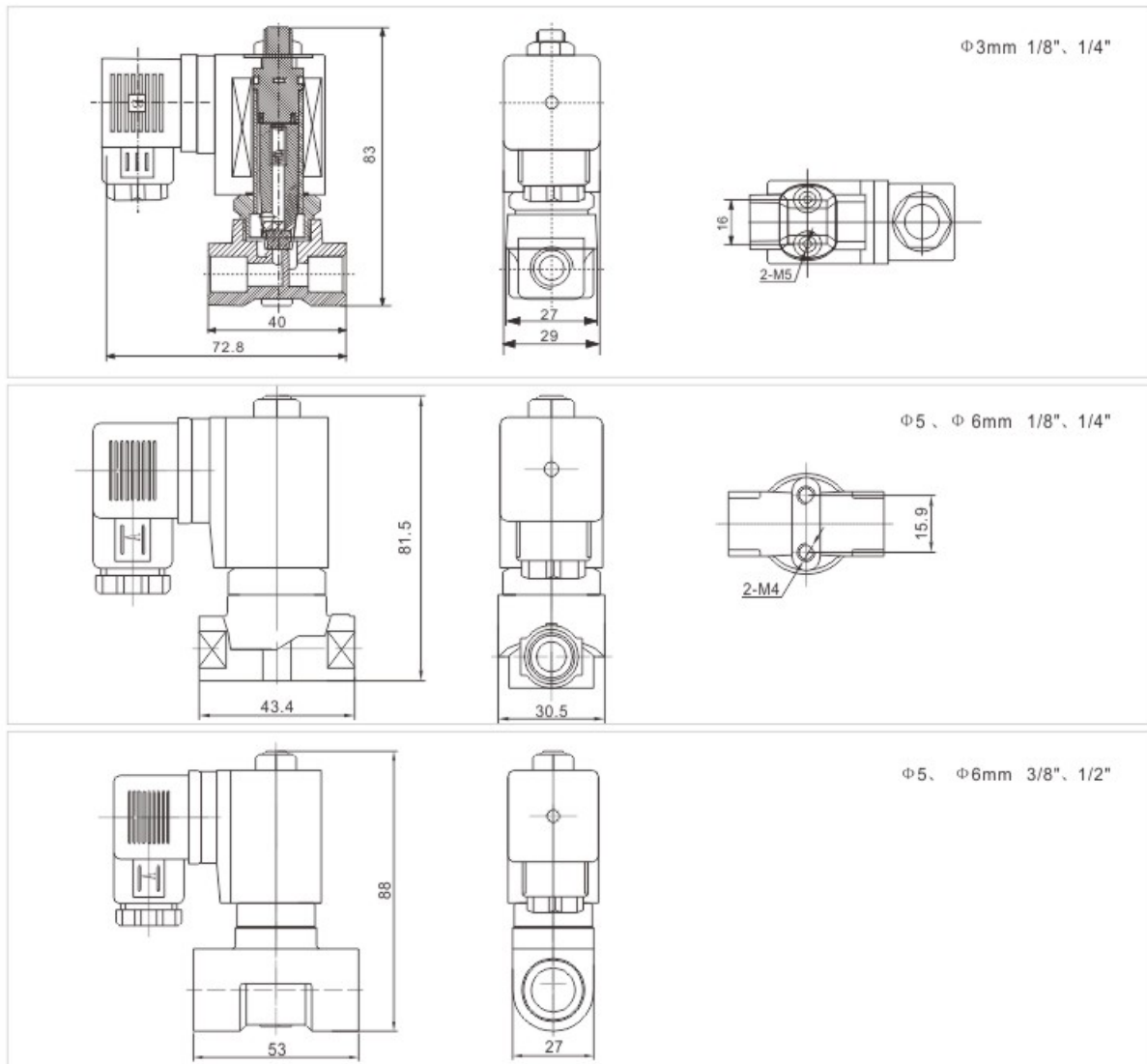
# Sanlixin Solenoid Valve

## SLP Compact Series 2/2-Way Direct Acting Solenoid Valve • Normally Closed

- 1:** 2-Way normally closed solenoid valve, Closed when de-energized, open when energized.
- 2:** Serialized products, small in size, large flow rate, widely use
- 3:** Body material: forged brass.316 stainless steel.
- 4:** Ambient Temp. 0°C~65°C, Fluids Temp 0°C~130°C
- 5:** Flow as the arrow, mounts in any position; Best position is solenoid vertical and upright direction.
- 6:** Voltage: 220VAC/230VAC/240VAC/110VAC/24VAC 50/60HZ 24VDC/12VDC; Voltage Tolerance: +10% to -10% applicable voltage
- 7:** This series valves are offered NBR、VITON、EPDM etc for Seals and diaphragm to provide on-off control of various fluids.
- 8:** Coil can fix SM Coil. AC 220V/AC110V/AC24V/DC24V



### Construction, External Dimensions Chart



# SLP Compact Series 2/2-Way Direct Acting Solenoid Valve • Normally Closed



## Valve Selection List

Pipe Conn- ection	Orifice  mm	CV  Factor	Operating pressure differential (kgf/cm <sup>2</sup> )								Max. fluids Temp. °C	Coil Type	Power consumption		Coil Class	Model Code		Weight KG
			Min.	Max.						AC 220V			W 24V	Follows Voltage are 220VAC				
				Air Gas	Water Hot water Liquids		Light oil ≤ 20CST		Body material:									
					AC	DC	AC	DC	AC					DC		Forgeda brass	SS316	
1/8"	3	0.23	0	13	13	13	13	10	10	80	D	22	13	F	SLP1DF02N1A03	SLP1DF02N3A03	0.37	
	3	0.23	0	13	13	13	13			130	D	22	13	F	SLP1DF02E1A03	SLP1DF02E3A03	0.37	
	3	0.23	0	13	13	13	13	10	10	120	D	22	13	F	SLP1DF02V1A03	SLP1DF02V3A03	0.37	
	5	0.65	0	4	2.5	4	2.5	2.5	2	80	D	22	13	F	SLP1DF02N1A05	SLP1DF02N3A05	0.36	
	5	0.65	0	4	2.5	4	2.5			130	D	22	13	F	SLP1DF02E1A05	SLP1DF02E3A05	0.36	
	5	0.65	0	4	2.5	4	2.5	2.5	2	120	D	22	13	F	SLP1DF02V1A05	SLP1DF02V3A05	0.36	
	6	0.8	0	3	2	3	2	2.5	2	80	D	22	13	F	SLP1DF02N1A06	SLP1DF02N3A06	0.36	
	6	0.8	0	3	2	3	2			130	D	22	13	F	SLP1DF02E1A06	SLP1DF02E3A06	0.36	
1/4"	3	0.23	0	13	13	13	13	10	10	80	D	22	13	F	SLP1DF02N1B03	SLP1DF02N3B03	0.36	
	3	0.23	0	13	13	13	13			130	D	22	13	F	SLP1DF02E1B03	SLP1DF02E3B03	0.36	
	3	0.23	0	13	13	13	13	10	10	120	D	22	13	F	SLP1DF02V1B03	SLP1DF02V3B03	0.36	
	5	0.65	0	4	2.5	4	2.5	2.5	2	80	D	22	13	F	SLP1DF02N1B05	SLP1DF02N3B05	0.35	
	5	0.65	0	4	2.5	4	2.5			130	D	22	13	F	SLP1DF02E1B05	SLP1DF02E3B05	0.35	
	5	0.65	0	4	2.5	4	2.5	2.5	2	120	D	22	13	F	SLP1DF02V1B05	SLP1DF02V3B05	0.35	
	6	0.8	0	3	2	3	2	2.5	2	80	D	22	13	F	SLP1DF02N1B06	SLP1DF02N3B06	0.35	
	6	0.8	0	3	2	3	2			130	D	22	13	F	SLP1DF02E1B06	SLP1DF02E3B06	0.35	
3/8"	5	0.65	0	4	2.5	4	2.5	2.5	2	80	D	22	13	F	SLP1DF02N1C05	SLP1DF02N3C05	0.46	
	5	0.65	0	4	2.5	4	2.5			130	D	22	13	F	SLP1DF02E1C05	SLP1DF02E3C05	0.46	
	5	0.65	0	4	2.5	4	2.5	2.5	2	120	D	22	13	F	SLP1DF02V1C05	SLP1DF02V3C05	0.46	
	6	0.8	0	3	2	3	2	2.5	2	80	D	22	13	F	SLP1DF02N1C06	SLP1DF02N3C06	0.46	
	6	0.8	0	3	2	3	2			130	D	22	13	F	SLP1DF02E1C06	SLP1DF02E3C06	0.46	
	6	0.8	0	3	2	3	2	2.5	2	120	D	22	13	F	SLP1DF02V1C06	SLP1DF02V3C06	0.46	
1/2"	5	0.65	0	4	2.5	4	2.5	2.5	2	80	D	22	13	F	SLP1DF02N1D05	SLP1DF02N3D05	0.43	
	5	0.65	0	4	2.5	4	2.5			130	D	22	13	F	SLP1DF02E1D05	SLP1DF02E3D05	0.43	
	5	0.65	0	4	2.5	4	2.5	2.5	2	120	D	22	13	F	SLP1DF02V1D05	SLP1DF02V3D05	0.43	
	6	0.8	0	3	2	3	2	2.5	2	80	D	22	13	F	SLP1DF02N1D06	SLP1DF02N3D06	0.43	
	6	0.8	0	3	2	3	2			130	D	22	13	F	SLP1DF02E1D06	SLP1DF02E3D06	0.43	
	6	0.8	0	3	2	3	2	2.5	2	120	D	22	13	F	SLP1DF02V1D06	SLP1DF02V3D06	0.43	