

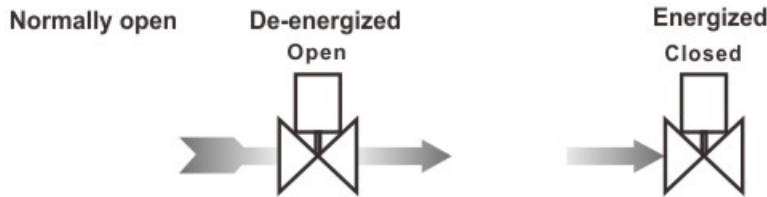
SLP Compact Series 2/2-Way Direct Acting Solenoid Valve · Normally Open

- 1:** 2-Way normally open solenoid valve, Open when de-energized, Closed when energized.
- 2:** Serialized products, small in size, large flow rate, widely use
- 3:** Body material: forged brass.316 stainless steel.
- 4:** Ambient Temp. 0°C~65°C, Fluids Temp 0°C~130°C.
- 5:** Flow as the arrow, mounts in any position; Best position is solenoid vertical and upright direction.
- 6:** Voltage: 220VAC/230VAC/240VAC/110VAC/24VAC 50/60HZ 24VDC/12VDC;
Voltage Tolerance: +10% to -10% applicable voltage can fix Nass coil
- 7:** This series valves are offered NBR、VITON、EPDM etc
For Seals and diaphragm to provide on-off control of various fluids.

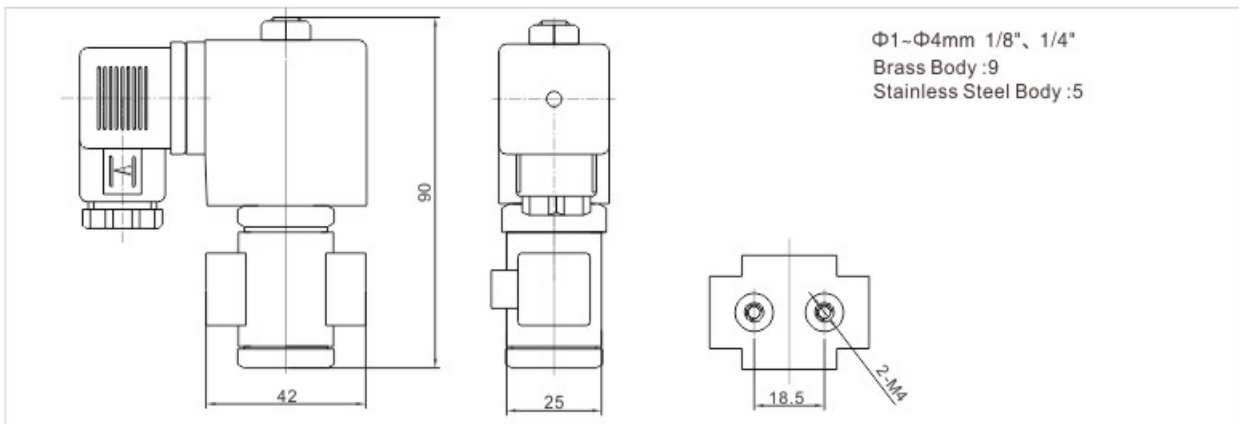
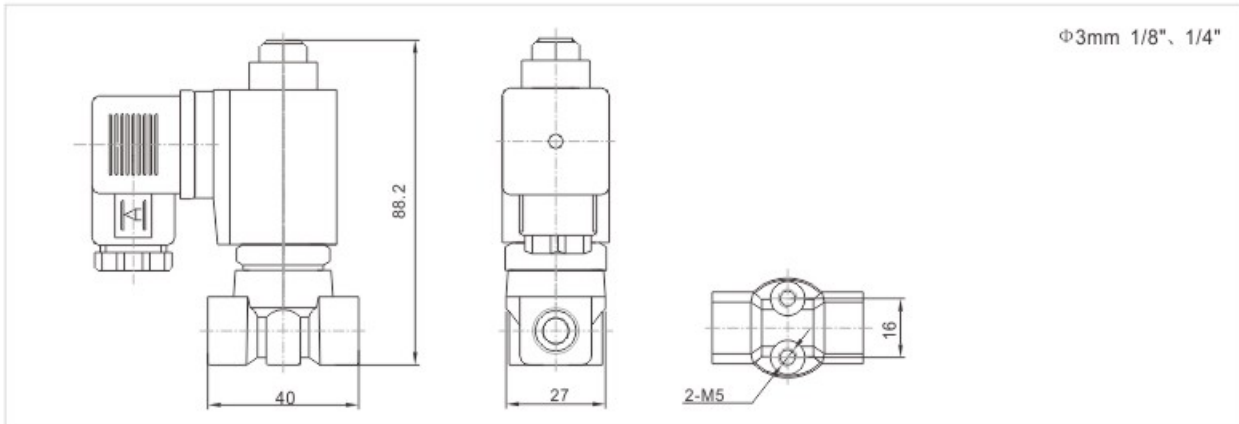


Body:9 & 5

Body:1 & 3



Construction, External Dimensions Chart



Sanlixin Solenoid Valve

SLP Compact Series 2/2-Way Direct Acting Solenoid Valve • Normally Open

Valve Selection List

Pipe Conn-ection	Orifice mm	CV Factor	Operating pressure differential(kgf/cm ²)				Max. fluids Temp. °C	Coil Type	consumption		Coil Class	Model Code		Weight (KG)
			Min.	Max.					VA AC 220V	W DC 24V		Follows Voltage are 220VAC		
				Air Gas	Water Hot water Liquids	Light oil						Body material:		
												Forged brass	SS316	
1/8"	1	0.04	0	30	30	25	80	D	22	13	F	SLP2DF02N9A01	SLP2DF02N5A01	0.4
	1	0.04	0	30	30		130	D	22	13	F	SLP2DF02E9A01	SLP2DF02E5A01	0.4
	1	0.04	0	30	30	25	120	D	22	13	F	SLP2DF02V9A01	SLP2DF02V5A01	0.4
	1.5	0.09	0	20	20	15	80	D	22	13	F	SLP2DF02N9AC2	SLP2DF02N5AC2	0.4
	1.5	0.09	0	20	20		130	D	22	13	F	SLP2DF02E9AC2	SLP2DF02E5AC2	0.4
	1.5	0.09	0	20	20	15	120	D	22	13	F	SLP2DF02V9AC2	SLP2DF02V5AC2	0.4
	2.5	0.2	0	15	15	12	80	D	22	13	F	SLP2DF02N9AC3	SLP2DF02N5AC3	0.4
	2.5	0.2	0	15	15		130	D	22	13	F	SLP2DF02E9AC3	SLP2DF02E5AC3	0.4
	2.5	0.2	0	15	15	12	120	D	22	13	F	SLP2DF02V9AC3	SLP2DF02V5AC3	0.4
	3	0.25	0	12	12	10	80	D	22	13	F	SLP2DF02N9A03	SLP2DF02N5A03	0.4
	3	0.25	0	12	12		130	D	22	13	F	SLP2DF02E9A03	SLP2DF02E5A03	0.4
	3	0.25	0	12	12	10	120	D	22	13	F	SLP2DF02V9A03	SLP2DF02V5A03	0.4
	3	0.3	0	6	6	5	80	D	22	13	F	SLP2DF02N1A03	SLP2DF02N3A03	0.46
	3	0.3	0	6	6		130	D	22	13	F	SLP2DF02E1A03	SLP2DF02E3A03	0.46
	3	0.3	0	6	6	5	120	D	22	13	F	SLP2DF02V1A03	SLP2DF02V3A03	0.46
	4	0.4	0	5	5	4	80	D	22	13	F	SLP2DF02N9A04	SLP2DF02N5A04	0.39
4	0.4	0	5	5		130	D	22	13	F	SLP2DF02E9A04	SLP2DF02E5A04	0.39	
4	0.4	0	5	5	4	120	D	22	13	F	SLP2DF02V9A04	SLP2DF02V5A04	0.39	
1/4"	1	0.04	0	30	30	25	80	D	22	13	F	SLP2DF02N9B01	SLP2DF02N5B01	0.39
	1	0.04	0	30	30		130	D	22	13	F	SLP2DF02E9B01	SLP2DF02E5B01	0.39
	1	0.04	0	30	30	25	120	D	22	13	F	SLP2DF02V9B01	SLP2DF02V5B01	0.39
	1.5	0.09	0	20	20	15	80	D	22	13	F	SLP2DF02N9BC2	SLP2DF02N5BC2	0.39
	1.5	0.09	0	20	20		130	D	22	13	F	SLP2DF02E9BC2	SLP2DF02E5BC2	0.39
	1.5	0.09	0	20	20	15	120	D	22	13	F	SLP2DF02V9BC2	SLP2DF02V5BC2	0.39
	2.5	0.2	0	15	15	12	80	D	22	13	F	SLP2DF02N9BC3	SLP2DF02N5BC3	0.39
	2.5	0.2	0	15	15		130	D	22	13	F	SLP2DF02E9BC3	SLP2DF02E5BC3	0.39
	2.5	0.2	0	15	15	12	120	D	22	13	F	SLP2DF02V9BC3	SLP2DF02V5BC3	0.39
	3	0.25	0	12	12	10	80	D	22	13	F	SLP2DF02N9B03	SLP2DF02N5B03	0.39
	3	0.25	0	12	12		130	D	22	13	F	SLP2DF02E9B03	SLP2DF02E5B03	0.39
	3	0.25	0	12	12	10	120	D	22	13	F	SLP2DF02V9B03	SLP2DF02V5B03	0.39
	3	0.3	0	6	6	5	80	D	22	13	F	SLP2DF02N1B03	SLP2DF02N3B03	0.45
	3	0.3	0	6	6		130	D	22	13	F	SLP2DF02E1B03	SLP2DF02E3B03	0.45
	3	0.3	0	6	6	5	120	D	22	13	F	SLP2DF02V1B03	SLP2DF02V3B03	0.45
	4	0.4	0	5	5	4	80	D	22	13	F	SLP2DF02N9B04	SLP2DF02N5B04	0.38
4	0.4	0	5	5		130	D	22	13	F	SLP2DF02E9B04	SLP2DF02E5B04	0.38	
4	0.4	0	5	5	4	120	D	22	13	F	SLP2DF02V9B04	SLP2DF02V5B04	0.38	