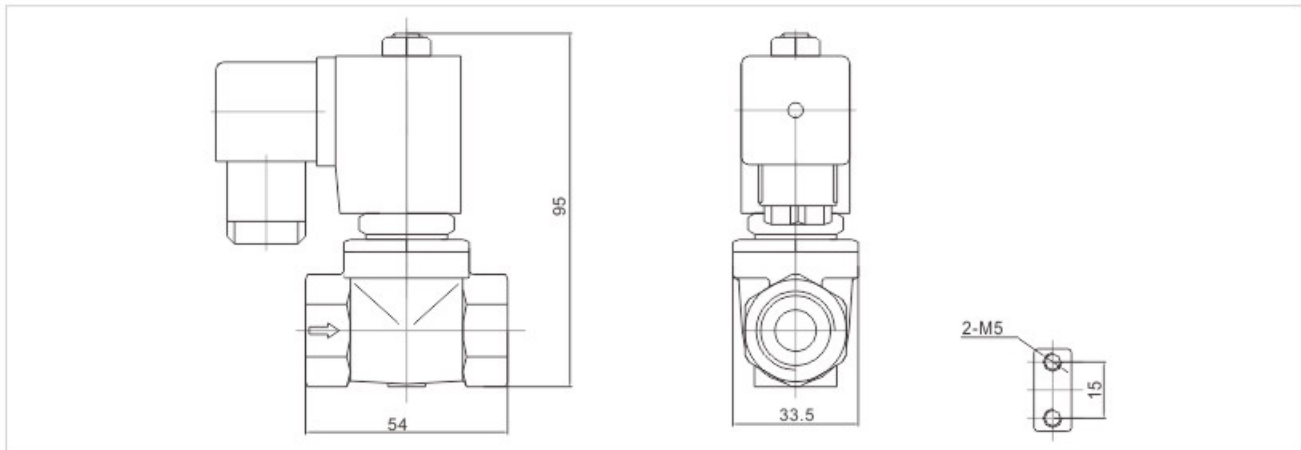


SLP Small Series 2/2-Way Pilot operated Solenoid Valve • Normally Closed

- 1: 2-Way normally closed solenoid valve, Closed when de-energized, open when energized.
- 2: Serialized products, small in size, large flow rate, widely use
- 3: Body material: forged brass. Orifice: ϕ 10.5mm.
- 4: Ambient Temp. 0°C~65°C, Fluids Temp: 0°C~130°C .Max allowable pressure 17 bar.
- 5: Flow as the arrow, mounts in any position; Best position is solenoid vertical and upright direction.
- 6: Voltage: 220VAC/230VAC/240VAC/110VAC/24VAC 50/60HZ 24VDC/12VDC;
Voltage Tolerance: +10% to -10% applicable voltage
- 7: This series valves are offered NBR, VITON, EPDM etc
For Seals and diaphragm to provide on-off control of various fluids.
- 8: Coil can fix SM Coil. AC 220V/AC110V/AC24V/DC24V



Construction, External Dimensions Chart



Valve Selection List

Pipe Connection	Orifice mm	CV Factor	Operating pressure differential (kgf/cm ²)							Max. Temp. °C	Coil Type	consumption		Coil Class	Model Code Follows Voltage are 220VAC	Weight (KG)
			Min.	Max.								VA AC 220V	W DC 24V			
				Air Gas		Water Hot water		Light oil								
				AC	DC	AC	DC	AC	DC							
1/4"	10.5	1.47	0.1	16	10	16	10	13	10	80	D	22	13	F	SLP1DF02N1BC9	0.51
	10.5	1.47	0.1	16	10	16	10			130	D	22	13	F	SLP1DF02E1BC9	0.51
	10.5	1.47	0.1	16	10	16	10	13	10	120	D	22	13	F	SLP1DF02V1BC9	0.51
3/8"	10.5	1.68	0.1	16	10	16	10	13	10	80	D	22	13	F	SLP1DF02N1CC9	0.49
	10.5	1.68	0.1	16	10	16	10			130	D	22	13	F	SLP1DF02E1CC9	0.49
	10.5	1.68	0.1	16	10	16	10	13	10	120	D	22	13	F	SLP1DF02V1CC9	0.49
1/2"	10.5	1.75	0.1	16	10	16	10	13	10	80	D	22	13	F	SLP1DF02N1DC9	0.46
	10.5	1.75	0.1	16	10	16	10			130	D	22	13	F	SLP1DF02E1DC9	0.46
	10.5	1.75	0.1	16	10	16	10	13	10	120	D	22	13	F	SLP1DF02V1DC9	0.46

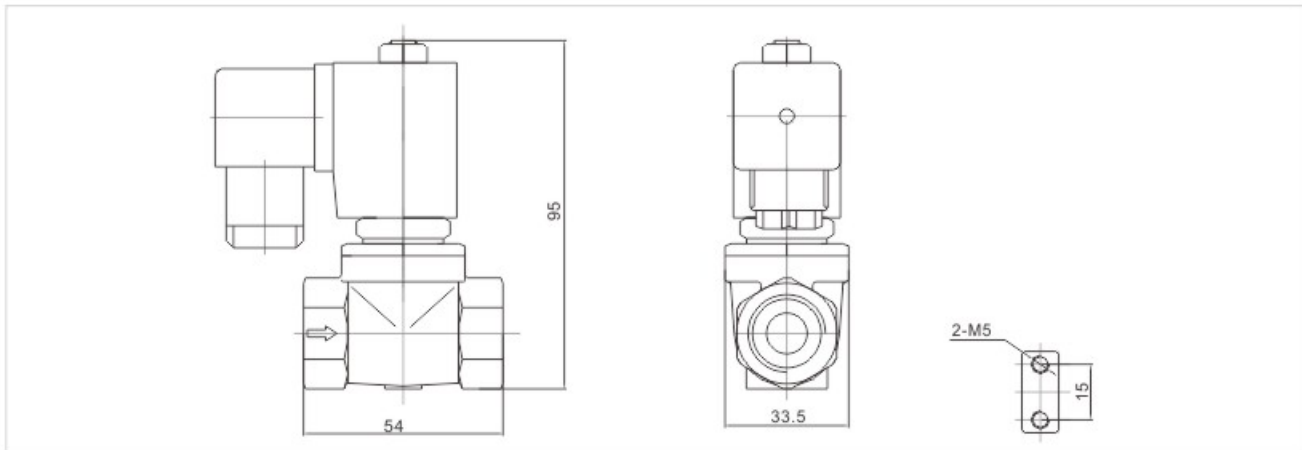
Sanlixin Solenoid Valve

SLP Small Series 2/2-Way Pilot operated Solenoid Valve • Normally Closed

1. 2-Way Normally closed solenoid valve, closed when de-energized, open when energized.
2. Serialized products, small in size, large flow rate, widely use
3. Body material: SS316 Orifice: $\Phi 8\text{mm}$
4. Ambient Temp $0^{\circ}\text{C}\sim 65^{\circ}\text{C}$ Fluids Temp.: $0^{\circ}\text{C}\sim 130^{\circ}\text{C}$
5. Flows as the arrow, mounts in any position; best position is solenoid valve vertical and upright direction.
6. Voltage: AC24V/110V/220V/230V/240V 50/60HZ DC24V/12V Voltage Tolerance: +10%~-10% applicable voltage
7. This series valves are offered NBR, VITON, EPDM Etc, For seals and diaphragm to provide on/off control of various fluids.
8. Coil can fix SM Coil. AC 220V/AC110V/AC24V/DC24V



Construction, External Dimensions Chart



Valve Selection List

Pipe Connection	Orifice mm	CV Factor	Operating pressure differential (kgf/cm ²)						Max. Temp. °C	Coil Type	consumption		Coil Class	Model Code Follows Voltage are 220VAC	Weight (KG)	
			Min.	Max.							VA	W				
				Air Gas		Water Hot water		Light oil								
				AC	DC	AC	DC	AC								DC
1/4"	8	1.2	0.1	16	10	16	10	13	10	80	D	22	13	F	SLP1DF02N3BC9	0.51
	8	1.2	0.1	16	10	16	10			130	D	22	13	F	SLP1DF02E3BC9	0.51
	8	1.2	0.1	16	10	16	10	13	10	120	D	22	13	F	SLP1DF02V3BC9	0.51
3/8"	8	1.2	0.1	16	10	16	10	13	10	80	D	22	13	F	SLP1DF02N3CC9	0.49
	8	1.2	0.1	16	10	16	10			130	D	22	13	F	SLP1DF02E3CC9	0.49
	8	1.2	0.1	16	10	16	10	13	10	120	D	22	13	F	SLP1DF02V3CC9	0.49
1/2"	8	1.2	0.1	16	10	16	10	13	10	80	D	22	13	F	SLP1DF02N3DC9	0.46
	8	1.2	0.1	16	10	16	10			130	D	22	13	F	SLP1DF02E3DC9	0.46
	8	1.2	0.1	16	10	16	10	13	10	120	D	22	13	F	SLP1DF02V3DC9	0.46