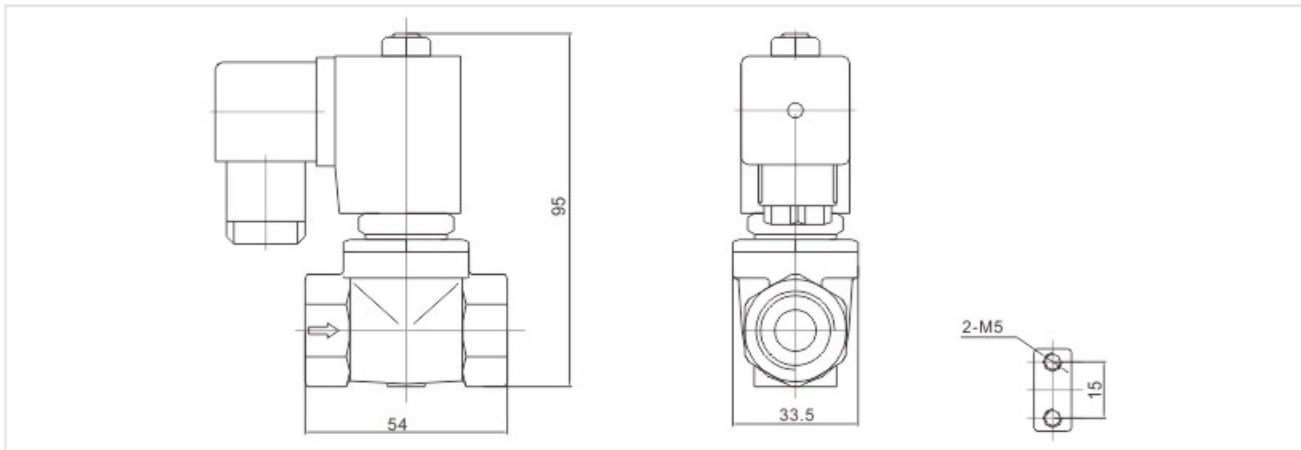


SLP Small Series 2/2-way Direct Acting Solenoid Valve · Normally Closed

- 1: 2-Way normally closed solenoid valve, Closed when de-energized, open when energized.
- 2: Serialized products, small in size, large flow rate, widely use
- 3: Body material: forged brass. Orifice: ϕ 10.5mm.
- 4: Ambient Temp. 0°C~65°C, Fluids Temp: 0°C~130°C .
- 5: Flow as the arrow, mounts in any position; Best position is solenoid vertical and upright direction.
- 6: Voltage: 220VAC/230VAC/240VAC/110VAC/24VAC 50/60HZ 24VDC/12VDC;
Voltage Tolerance: +10% to -10% applicable voltage
- 7: This series valves are offered NBR, VITON, EPDM etc
For Seals and diaphragm to provide on-off control of various fluids.
- 8: Coil can fix SM Coil. AC 220V/AC110V/AC24V/DC24V



Construction, External Dimensions Chart



Valve Selection List

| Pipe Conn- ection | Orifice mm | CV Factor | Operating pressure differential (kgf/cm ²) | | | | | | Max. Temp. °C | Coil Type | consumption | | Coil Class | Model Code Follows Voltage are 220VAC | Weight (KG) | | |
|-------------------------|-------------------|------------------|---|------------|--------------------|----|-----------|----|---------------------|--------------|-------------|----|---------------|---|--------------------|------------|-----------|
| | | | Min. | Max. | | | | | | | VA | W | | | | | |
| | | | | Air Gas | Water Hot water | | Light oil | | | | | | | | | AC 220V | DC 24V |
| | | | | | AC | DC | AC | DC | | | | | | | | | |
| 1/4" | 10.5 | 1.47 | 0 | 16 | 10 | 16 | 10 | 13 | 10 | 80 | D | 22 | 13 | F | SLP1DF02N1B10 | 0.51 | |
| | 10.5 | 1.47 | 0 | 16 | 10 | 16 | 10 | | | 130 | D | 22 | 13 | F | SLP1DF02E1B10 | 0.51 | |
| | 10.5 | 1.47 | 0 | 16 | 10 | 16 | 10 | 13 | 10 | 120 | D | 22 | 13 | F | SLP1DF02V1B10 | 0.51 | |
| 3/8" | 10.5 | 1.68 | 0 | 16 | 10 | 16 | 10 | 13 | 10 | 80 | D | 22 | 13 | F | SLP1DF02N1C10 | 0.49 | |
| | 10.5 | 1.68 | 0 | 16 | 10 | 16 | 10 | | | 130 | D | 22 | 13 | F | SLP1DF02E1C10 | 0.49 | |
| | 10.5 | 1.68 | 0 | 16 | 10 | 16 | 10 | 13 | 10 | 120 | D | 22 | 13 | F | SLP1DF02V1C10 | 0.49 | |
| 1/2" | 10.5 | 1.75 | 0 | 16 | 10 | 16 | 10 | 13 | 10 | 80 | D | 22 | 13 | F | SLP1DF02N1D10 | 0.46 | |
| | 10.5 | 1.75 | 0 | 16 | 10 | 16 | 10 | | | 130 | D | 22 | 13 | F | SLP1DF02E1D10 | 0.46 | |
| | 10.5 | 1.75 | 0 | 16 | 10 | 16 | 10 | 13 | 10 | 120 | D | 22 | 13 | F | SLP1DF02V1D10 | 0.46 | |

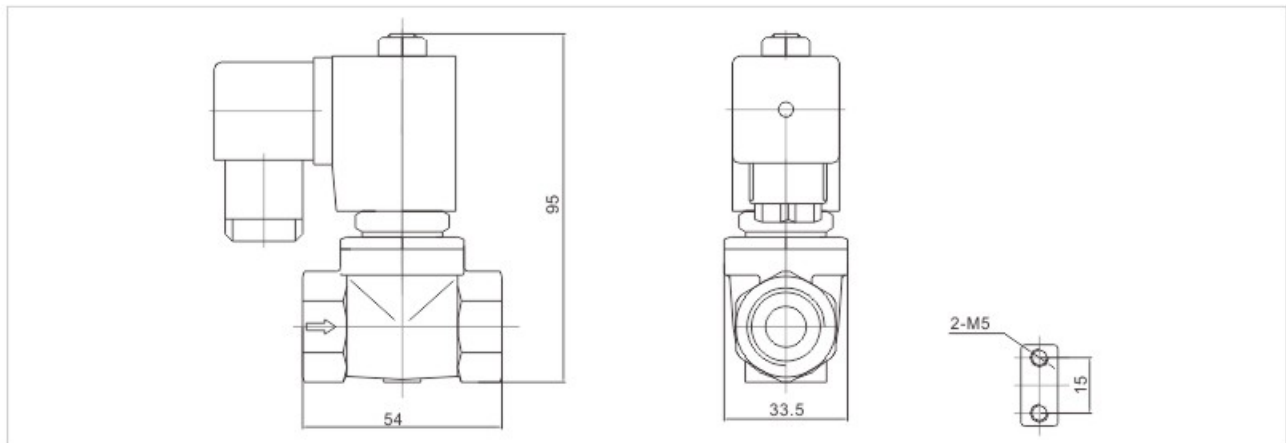
Sanlixin Solenoid Valve

SLP Small Series 2/2-way Direct Acting Solenoid Valve · Normally Closed

1. 2-Way Normally closed solenoid valve, closed when de-energized, open when energized.
2. Serialized products, small in size, large flow rate, widely use
3. Body material: SS316 Orifice: $\Phi 8\text{mm}$
4. Ambient Temp $0^{\circ}\text{C}\sim 65^{\circ}\text{C}$ Fluids Temp.: $0^{\circ}\text{C}\sim 130^{\circ}\text{C}$
5. Flows as the arrow, mounts in any position; best position is solenoid valve vertical and upright direction.
6. Voltage: AC24V/110V/220V/230V/240V 50/60HZ
DC24V/12V Voltage Tolerance: +10%~-10% applicable voltage
7. This series valves are offered NBR, VITON, EPDM Etc, For seals and diaphragm to provide on/off control of various fluids.
8. Coil can fix SM Coil. AC 220V/AC110V/AC24V/DC24V



Construction & External Dimensions Chart



Valve Selection List

| Pipe Conn- ection | Orifice mm | CV Factor | Min. | Operating pressure differential (kgf/cm ²) | | | | | | Max. Temp. °C | Coil Type | consumption | | Coil Class | Model Code Follows Voltage 220VAC | Weight (KG) |
|----------------------|---------------|--------------|------|---|----|--------------------|----|-----------|----|---------------------|--------------|------------------|----------------|---------------|---|----------------|
| | | | | Max. | | | | | | | | VA AC 220V | W DC 24V | | | |
| | | | | Air Gas | | Water Hot water | | Light oil | | | | | | | | |
| | | | | AC | DC | AC | DC | AC | DC | | | | | | | |
| 1/4" | 8 | 1.2 | 0 | 16 | 10 | 16 | 10 | 13 | 10 | 80 | D | 22 | 13 | F | SLP1DF02N3B10 | 0.51 |
| | 8 | 1.2 | 0 | 16 | 10 | 16 | 10 | | | 130 | D | 22 | 13 | F | SLP1DF02E3B10 | 0.51 |
| | 8 | 1.2 | 0 | 16 | 10 | 16 | 10 | 13 | 10 | 120 | D | 22 | 13 | F | SLP1DF02V3B10 | 0.51 |
| 3/8" | 8 | 1.2 | 0 | 16 | 10 | 16 | 10 | 13 | 10 | 80 | D | 22 | 13 | F | SLP1DF02N3C10 | 0.49 |
| | 8 | 1.2 | 0 | 16 | 10 | 16 | 10 | | | 130 | D | 22 | 13 | F | SLP1DF02E3C10 | 0.49 |
| | 8 | 1.2 | 0 | 16 | 10 | 16 | 10 | 13 | 10 | 120 | D | 22 | 13 | F | SLP1DF02V3C10 | 0.49 |
| 1/2" | 8 | 1.2 | 0 | 16 | 10 | 16 | 10 | 13 | 10 | 80 | D | 22 | 13 | F | SLP1DF02N3D10 | 0.46 |
| | 8 | 1.2 | 0 | 16 | 10 | 16 | 10 | | | 130 | D | 22 | 13 | F | SLP1DF02E3D10 | 0.46 |
| | 8 | 1.2 | 0 | 16 | 10 | 16 | 10 | 13 | 10 | 120 | D | 22 | 13 | F | SLP1DF02V3D10 | 0.46 |