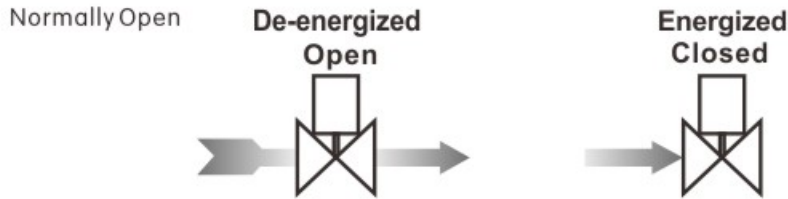
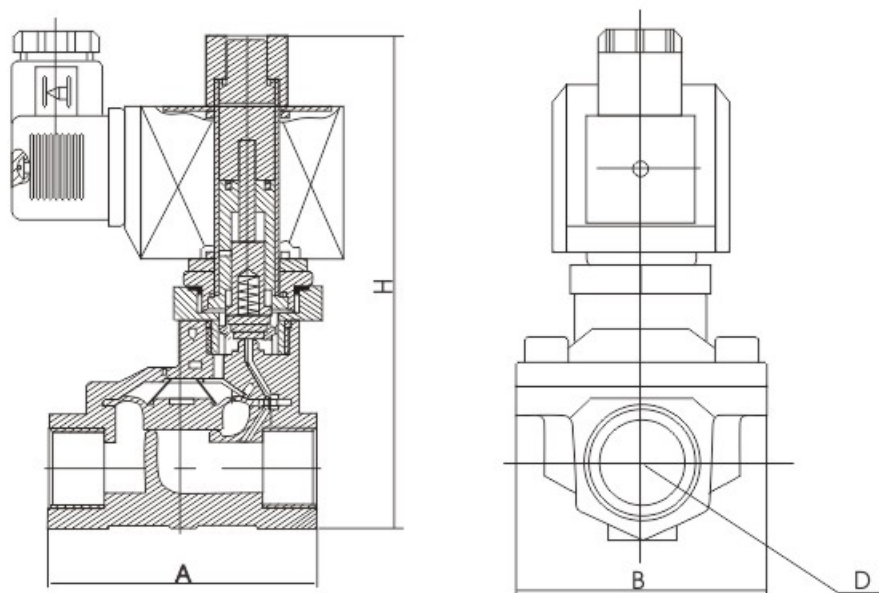


SLP 2/2-Way Large diameter Pilot Operated Solenoid Valve · Normally Open

- 1:** 2-Way normally open solenoid valve;
Open when de-energized, closed when energized.
- 2:** Body material: brass
- 3:** Max. Allowable pressure 16kgf/cm²; Ambient Temp. 0°C~65°C
- 4:** Serialized products, small in size, large flow rate, widely use.
- 5:** Flow as the arrow, mounts in any position; Best position is Solenoid vertical and upright direction.
- 6:** Voltage: 220VAC/230VAC/240VAC/110VAC/24VAC 50/60HZ 24VDC/12VDC;
Voltage Tolerance: +10% to -10% applicable voltage.
- 7:** This series valves are offered NBR, VITON, EPDM etc for Seals and diaphragm to provide on-off control of various fluids.



Construction, External Dimensions Chart



Sanlixin Solenoid Valve

SLP 2/2-Way Large diameter Pilot Operated Solenoid Valve • Normally Open

Valve Selection List

Pipe Conn- ection	Orifice mm	CV Factor	Min.	Operating pressure differential (kgf/cm ²) Max.			Max. Fluids Temp.	Coil Type	Power consumption		Coil Class	External Dimensions Length x Width x Height A x B x H	Model Code Follows Voltage are 220VAC 50/60HZ	Weight (KG)
				Air Gas	Water Hot water Liquids	Light oil ≤ 20CST			VA AC 220 V	W DC 24 V				
3/8 "	13	4.5	0.5	13	13	8	80	D	20	20	F	66×48×124	SLP2DF02N1C13	0.9
	13	4.5	0.5	13	13		120	D	20	20	F	66×48×124	SLP2DF02E1C13	0.9
	13	4.5	0.5	13	13	8	120	D	20	20	F	66×48×124	SLP2DF02V1C13	0.9
1/2 "	13	4.5	0.5	13	13	8	80	D	20	20	F	66×48×124	SLP2DF02N1D13	0.9
	13	4.5	0.5	13	13		120	D	20	20	F	66×48×124	SLP2DF02E1D13	0.9
	13	4.5	0.5	13	13	8	120	D	20	20	F	66×48×124	SLP2DF02V1D13	0.9
3/4 "	20	7.6	0.5	13	13	8	80	D	20	20	F	75×58×130	SLP2DF02N1E20	1.1
	20	7.6	0.5	13	13		120	D	20	20	F	75×58×130	SLP2DF02E1E20	1.1
	20	7.6	0.5	13	13	8	120	D	20	20	F	75×58×130	SLP2DF02V1E20	1.1
1 "	25	12	0.5	13	13	8	80	D	20	20	F	96×70×143	SLP2DF02N1G25	1.6
	25	12	0.5	13	13		120	D	20	20	F	96×70×143	SLP2DF02E1G25	1.6
	25	12	0.5	13	13	8	120	D	20	20	F	96×70×143	SLP2DF02V1G25	1.6
1 1/4 "	35	22	0.5	8	8	8	80	D	20	20	F	131×96×158	SLP2DF02N1H35	3
	35	22	0.5	8	8		120	D	20	20	F	131×96×158	SLP2DF02E1H35	3
	35	22	0.5	8	8	8	120	D	20	20	F	131×96×158	SLP2DF02V1H35	3
1 1/2 "	40	30	0.5	8	8	8	80	D	20	20	F	131×96×158	SLP2DF02N1J40	2.8
	40	30	0.5	8	8		120	D	20	20	F	131×96×158	SLP2DF02E1J40	2.8
	40	30	0.5	8	8	8	120	D	20	20	F	131×96×158	SLP2DF02V1J40	2.8
2 "	50	48	0.5	8	8	8	80	D	20	20	F	165×120×179	SLP2DF02N1K50	4.2
	50	48	0.5	8	8		120	D	20	20	F	165×120×179	SLP2DF02E1K50	4.2
	50	48	0.5	8	8	8	120	D	20	20	F	165×120×179	SLP2DF02V1K50	4.2