

SLP 2/2-Way Large diameter Pilot Operated Solenoid Valve · Normally Open

- 1:** 2-Way normally open solenoid valve; Open when de-energized, closed when energized.
- 2:** Body material: 316 stainless steel
- 3:** Max. Allowable pressure 12kgf/cm²; Ambient Temp. 0°C~65°C
- 4:** Serialized products, small in size, large flow rate, widely use.
- 5:** Flow as the arrow, mounts in any position; Best position is Solenoid vertical and upright direction.
- 6:** Voltage: 220VAC/230VAC/240VAC/110VAC/24VAC 50/60HZ 24VDC/12VDC;
Voltage Tolerance: +10% to -10% applicable voltage.
- 7:** This series valves are offered NBR、VITON、EPDM etc for Seals and diaphragm to provide on-off control of various fluids.



Valve Selection List (Female connection)

Pipe Conn- ection	Orifice mm	CV Factor	Min.	Operating pressure differential (kgf/cm ²)			Max. Fluids Temp.	Coil Type	Power consumption		Coil Class	External Dimensions Length x Width x Height A x B x H	Model Code Follows Voltage are 220VAC 50/60HZ	Weight (KG)
				Max.					VA AC 220 V	W DC 24 V				
				Air Gas	Water Hot water Liquids	Light oil ≤ 20CST								
3/8"	13	4.5	0.5	13	13	8	80	D	20	20	F	66×48×124	SLP2DF02N3C13	0.95
	13	4.5	0.5	13	13		120	D	20	20	F	66×48×124	SLP2DF02E3C13	0.95
	13	4.5	0.5	13	13	8	120	D	20	20	F	66×48×124	SLP2DF02V3C13	0.95
1/2"	13	4.5	0.5	13	13	8	80	D	20	20	F	66×48×124	SLP2DF02N3D13	0.9
	13	4.5	0.5	13	13		120	D	20	20	F	66×48×124	SLP2DF02E3D13	0.9
	13	4.5	0.5	13	13	8	120	D	20	20	F	66×48×124	SLP2DF02V3D13	0.9
3/4"	20	7.6	0.5	13	13	8	80	D	20	20	F	75×58×130	SLP2DF02N3E20	1.1
	20	7.6	0.5	13	13		120	D	20	20	F	75×58×130	SLP2DF02E3E20	1.1
	20	7.6	0.5	13	13	8	120	D	20	20	F	75×58×130	SLP2DF02V3E20	1.1
1"	25	12	0.5	13	13	8	80	D	20	20	F	96×70×143	SLP2DF02N3G25	1.5
	25	12	0.5	13	13		120	D	20	20	F	96×70×143	SLP2DF02E3G25	1.5
	25	12	0.5	13	13	8	120	D	20	20	F	96×70×143	SLP2DF02V3G25	1.5
1 1/4"	35	22	0.5	8	8	8	80	D	20	20	F	131×96×158	SLP2DF02N3H35	2.8
	35	22	0.5	8	8		120	D	20	20	F	131×96×158	SLP2DF02E3H35	2.8
	35	22	0.5	8	8	8	120	D	20	20	F	131×96×158	SLP2DF02V3H35	2.8
1 1/2"	40	30	0.5	8	8	8	80	D	20	20	F	131×96×158	SLP2DF02N3J40	2.7
	40	30	0.5	8	8		120	D	20	20	F	131×96×158	SLP2DF02E3J40	2.7
	40	30	0.5	8	8	8	120	D	20	20	F	131×96×158	SLP2DF02V3J40	2.7
2"	50	48	0.5	8	8	8	80	D	20	20	F	165×120×179	SLP2DF02N3K50	4.6
	50	48	0.5	8	8		120	D	20	20	F	165×120×179	SLP2DF02E3K50	4.6
	50	48	0.5	8	8	8	120	D	20	20	F	165×120×179	SLP2DF02V3K50	4.6

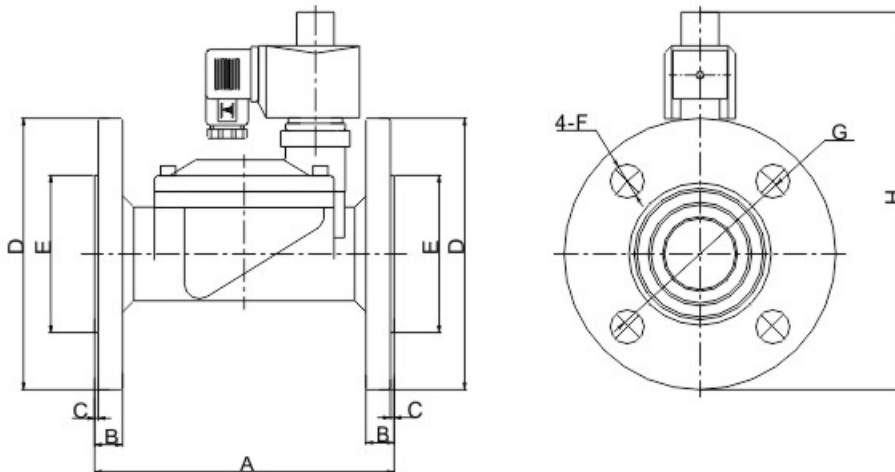
Sanlixin Solenoid Valve

SLP 2/2-Way Large diameter Pilot Operated Solenoid Valve · Normally Open

Valve Selection List (Flange connection)

Orifice mm	CV Factor	Operating pressure differential (kgf/cm ²)								Max. Fluids Temp.	Coil F Lass Type	Power consumption		Model Code Follows Voltage are 220VAC 50/60HZ	Weight (KG)
		Min.	Max.						VA AC 220 V			W DC 24 V			
			Air Gas		Water Hot water Liquids		Light oil								
			AC	DC	AC	DC	AC	DC							
25	12	0.5	13	13	13	13	8	8	80	D	20	20	SLP2DF02N3F25	2.9	
25	12	0.5	13	13	13	13			120	D	20	20	SLP2DF02E3F25	2.9	
25	12	0.5	13	13	13	13	8	8	120	D	20	20	SLP2DF02V3F25	2.9	
35	22	0.5	8	8	8	8	8	8	80	D	20	20	SLP2DF02N3F35	5.2	
35	22	0.5	8	8	8	8			120	D	20	20	SLP2DF02E3F35	5.2	
35	22	0.5	8	8	8	8	8	8	120	D	20	20	SLP2DF02V3F35	5.2	
40	30	0.5	8	8	8	8	8	8	80	D	20	20	SLP2DF02N3F40	5.5	
40	30	0.5	8	8	8	8			120	D	20	20	SLP2DF02E3F40	5.5	
40	30	0.5	8	8	8	8	8	8	120	D	20	20	SLP2DF02V3F40	5.5	
50	48	0.5	8	8	8	8	8	8	80	D	20	20	SLP2DF02N3F50	8.1	
50	48	0.5	8	8	8	8			120	D	20	20	SLP2DF02N3F50	8.1	
50	48	0.5	8	8	8	8	8	8	120	D	20	20	SLP2DF02N3F50	8.1	

Construction, External Dimensions Chart



	A	B	C	ΦD	ΦE	ΦF	ΦG	H
SLP-25BH	134	13	2	110	58	4-14	85	172
SLP-32BH	160	15	2	135	74	4-18	100	187
SLP-40BH	160	15	2	145	84	4-18	110	192
SLP-50BH	200	16	2	160	88	4-18	125	219