

# SLA 2/2-Way Pilot Operated Piston Solenoid Valve • Normally Closed

## Solenoid Valves Numbering System for Order

Position description	1	2	3	4	5	6	7	8	9	10
	Valve Series	Mode of Operation	Coil Type	Coil Class	Voltage	Seal Material	Body Material	Pipe Size	Orifice (φ mm)	Options
E.G.	<b>SLA</b>	<b>1</b>	<b>W</b>	<b>H</b>	<b>01</b>	<b>T</b>	<b>1</b>	<b>D</b>	<b>15</b>	<input type="checkbox"/>
	<b>SLA Series</b>	1: Normally Closed  2: Normally Open	W: Metallic Housing, Lead wires  A: Metallic Housing, DIN Standard  D: DIN Standard Connections, Fully Encapsulated  N: Lead Wires, Water-tight, Fully Encapsulated  S: NASS Coil  X: Explosion-proof	H: H Class  F: F Class  H: H Class  F: F Class	02=220VAC 230VAC 50/60HZ 01=110VAC 120VAC 50/60HZ 05=24VAC 13=DC24V 12=DC12V  Contact the company for other voltage	T: Teflon           V: VITON E: EPDM N: NBR	1=Forged Brass 4= SS304 ( Normal regualtions )  3= SS316  4= SS304	A: 1/8" B: 1/4" C: 3/8"  D: 1/2" E: 3/4" G: 1" H: 1 1/4" J: 1 1/2" K: 2"  F: Flange Connection  Others  M: M10 × 1	C3=2.5 C6=4.5 C6=4.5 15=15. C6=4.5 15=15. 20=20. 25=25. 35=35. 50=50. 25=25. 35=35. 40=35. 50=50. C7=5.5	L: Neon Lamp           N: NPT Connection           T: Timers

# Sanlixin Solenoid Valve

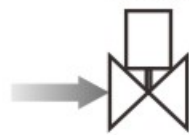
## **SLA 2/2-Way Pilot Operated Piston Solenoid Valve · Normally Closed**

- 1:** 2-Way normally closed solenoid valve; Closed when de-energized, open when energized.
- 2:** Body material: brass
- 3:** Max. Allowable pressure 40kgf/cm<sup>2</sup>;  
Ambient Temp. 0°C~65°C (F CLASS) , 0°C~80°C (H CLASS)
- 4:** Serialized products, small in size, large flow rate, widely use.
- 5:** Flow as the arrow, mounts in any position; Best position is Solenoid vertical and upright direction.
- 6:** Voltage: 220VAC/230VAC/240VAC/110VAC/24VAC 50/60HZ 24VDC/12VDC;  
Voltage Tolerance: + 10% to -10%applicable voltage.
- 7:** Coil can fix Germany NASS Coil,Standard storage: 220VAC/230VAC/240VAC 50/60HZ 24V
- 8:** This series valves are offered Teflon for Seals to provide on-off control of various fluids.

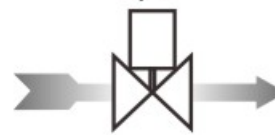


Normally Closed

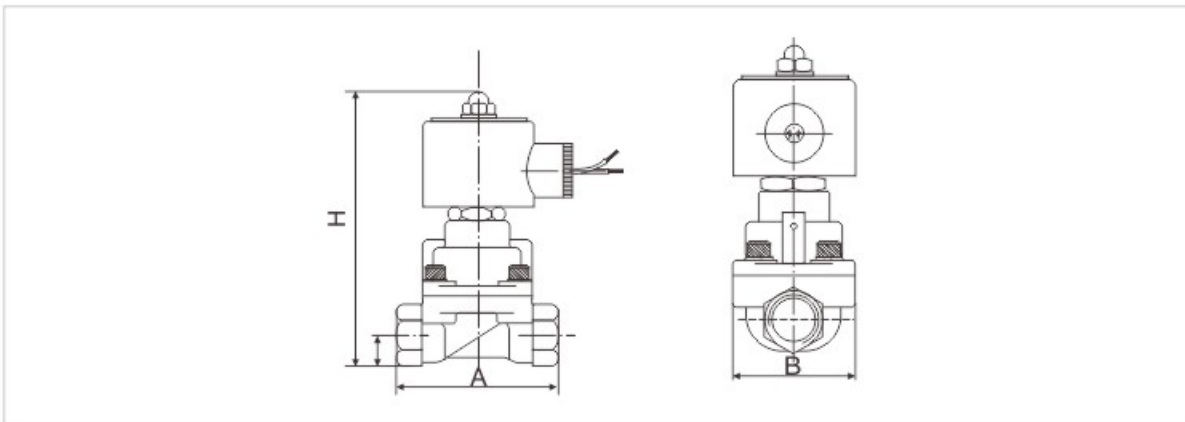
De-energized  
Closed



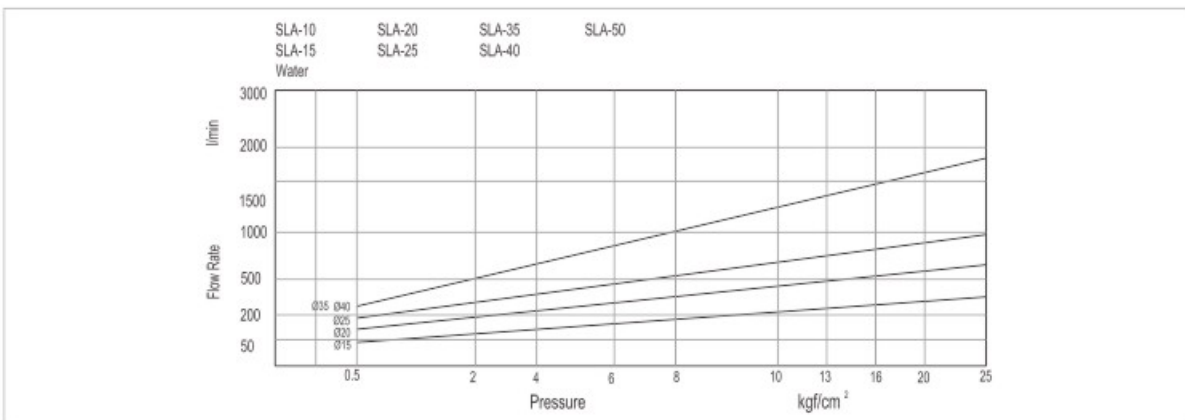
Energized  
Open



### Construction, External Dimensions Chart



### Flow Chart



# SLA 2/2-Way Pilot Operated Piston Solenoid Valve • Normally Closed

## Valve Selection List

Pipe Conn- ection	Orifice mm	CV Factor	Operating pressure differential ( kgf/cm <sup>2</sup> )								Max. Fluids Temp.	Coil Type	Power consumption		Coil Class	External Dimensions Length x Width x Height A x B x H	Model Code Follows Voltage are 220VAC 50/60HZ	Weight (KG)	
			Min.	Max.									VA AC 220 V	W DC 24 V					
				Air Gas		Water Hot water Liquids		Light oil		Steam AC/ DC									
				AC	DC	AC	DC	AC	DC										
1/8"	2.5	0.23	0	8	8	8	8	6	6	10	180	S	22	13	H	48×25×85.5	SLA1SH02T1AC3	0.45	
	2.5	0.23	0	13	13	13	13	7	7		110	D	22	13	F	48×25×85.5	SLA1DF02V1AC3	0.45	
	2.5	0.23	0	13	13	13	13	5	5		135	D	22	13	H	48×25×85.5	SLA1DF02E1AC3	0.45	
	2.5	0.23	0	13	13	13	13	7	7		80	D	22	13	F	48×25×85.5	SLA1DF02N1AC3	0.45	
	4.5	0.6	0	7	4	7	4	4	4	7	165	S	22	13	H	58×25×85.5	SLA1SH02T1AC6	0.55	
	4.5	0.6	0	7	4	7	4	4	4		110	D	22	13	F	58×25×85.5	SLA1DF02V1AC6	0.55	
	4.5	0.6	0	7	4	7	4	4	4		135	D	22	13	H	58×25×85.5	SLA1DF02E1AC6	0.55	
1/4"	2.5	0.23	0	7	4	7	4	4	4	10	180	S	22	13	H	48×25×85.5	SLA1SH02T1BC3	0.4	
	2.5	0.23	0	13	13	13	13	7	7		110	D	22	13	F	48×25×85.5	SLA1DF02V1BC3	0.4	
	2.5	0.23	0	13	13	13	13	7	7		135	D	22	13	H	48×25×85.5	SLA1DF02E1BC3	0.4	
	2.5	0.23	0	13	13	13	13	7	7		80	D	22	13	F	48×25×85.5	SLA1DF02N1BC3	0.4	
	4.5	0.6	0	7	4	7	4	4	4	7	165	S	22	13	H	58×25×85.5	SLA1SH02T1BC6	0.5	
	4.5	0.6	0	7	4	7	4	4	4		110	D	22	13	F	58×25×85.5	SLA1DF02V1BC6	0.5	
	4.5	0.6	0	7	4	7	4	4	4		135	D	22	13	H	58×25×85.5	SLA1DF02E1BC6	0.5	
3/8"	15	4.5	0.5	25	20	25	20	20	20		110	D	33	32	F	75×52×129	SLA1DF02T1C15	1.25	
	15	4.5	0.5	25	20	25	20	20	20	10	185	W	30	25	H	75×52×129	SLA1WH02T1C15	1.25	
1/2"	15	4.5	0.5	25	20	25	20	20	20		110	D	33	32	F	75×52×129	SLA1DF02T1D15	1.2	
	15	4.5	0.5	25	20	25	20	20	20	10	185	W	30	25	H	75×52×129	SLA1WH02T1D15	1.2	
3/4"	20	9.0	0.5	25	20	25	20	20	20		110	D	33	32	F	85×60×141	SLA1DF02T1E20	1.5	
	20	9.0	0.5	25	20	25	20	20	20	10	185	W	30	25	H	85×60×141	SLA1WH02T1E20	1.5	
1"	25	13	0.5	25	20	25	20	20	20		110	D	33	32	F	100×70×148	SLA1DF02T1G25	1.9	
	25	13	0.5	25	20	25	20	20	20	10	185	W	30	25	H	100×70×148	SLA1WH02T1G25	1.9	
1 1/4"	35	26	0.5	25	20	25	20	20	20		110	D	33	32	F	120×90×168	SLA1DF02T1H35	3.6	
	35	26	0.5	25	20	25	20	20	20	10	185	W	30	25	H	120×90×168	SLA1WH02T1H35	3.6	
1 1/2"	35	26	0.5	25	20	25	20	20	20		110	D	33	32	F	120×90×168	SLA1DF02T1J35	3.5	
	35	26	0.5	25	20	25	20	20	20	10	185	W	30	25	H	120×90×168	SLA1WH02T1J35	3.5	
2"	45	45	0.5	25	20	25	20	20	20		110	D	33	32	F	150×110×190	SLA1DF02T1K50	4.5	
	45	45	0.5	25	20	25	20	20	20	10	185	W	30	25	H	150×110×190	SLA1WH02T1K50	4.5	