

# Sanlixin Solenoid Valve

## SLA 2/2-Way Pilot Operated Piston Solenoid Valve • Normally Closed

- 1:** 2-Way normally closed solenoid valve;  
Closed when de-energized, open when energized.
- 2:** Body material: 304 stainless steel (standard), 316 stainless steel (special made)
- 3:** Max. Allowable pressure 40kgf/cm<sup>2</sup>;  
Ambient Temp. 0°C~65°C (F CLASS), 0°C~80°C (H CLASS)
- 4:** Serialized products, small in size, large flow rate, widely use.
- 5:** Flow as the arrow, mounts in any position; Best position is Solenoid vertical and upright direction.
- 6:** Voltage: 220VAC/230VAC/240VAC/110VAC/24VAC 50/60HZ 24VDC/12VDC;  
Voltage Tolerance: + 10% to -10% applicable voltage.
- 7:** Coil can fix Germany NASS Coil, Standard storage: 220VAC/230VAC/240VAC 50/60HZ 24VDC
- 8:** This series valves are offered Teflon for Seals to provide on-off control of various fluids.



### Valve Selection List (Female Thread)

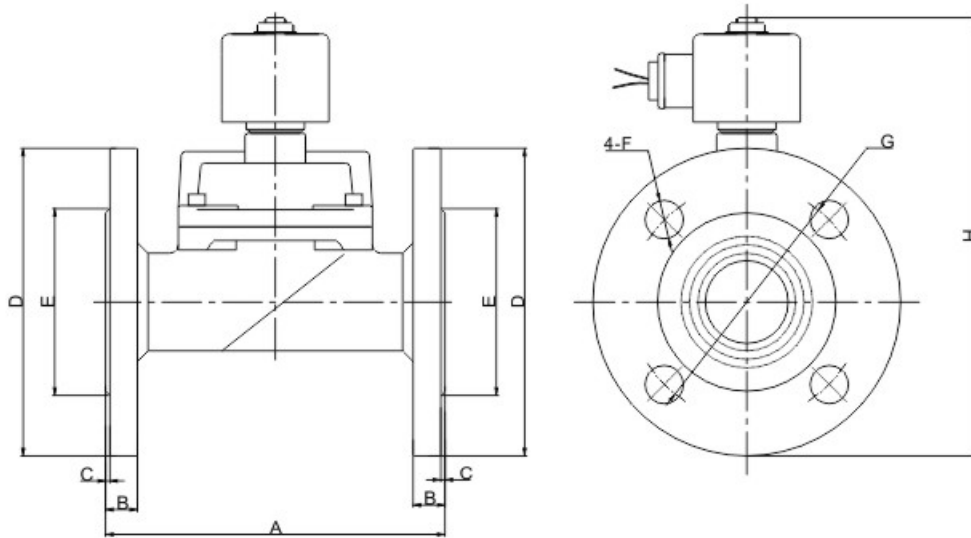
Pipe Conn- ection	Orifice mm	CV Factor	Operating pressure differential ( kgf/cm <sup>2</sup> )								Max. Fluids Temp.	Coil Type	Power consumption		Coil Class	External Dimensions Length x Width x Height A x B x H	Model Code Follows Voltage are 220VAC 50/60HZ	Weight (KG)	
			Min.	Max.									VA AC 220 V	W DC 24 V					
				Air Gas		Water Hot water Liquids		Light oil		Steam									
				AC	DC	AC	DC	AC	DC										AC/ DC
3/8"	15	4.5	0.5	25	20	25	20	20	20		110	D	20	20	F	75×52×129	SLA1DF02T4C15	1.25	
	15	4.5	0.5	25	20	25	20	20	20	10	185	W	30	25	H	75×52×129	SLA1WH02T4C15	1.25	
1/2"	15	4.5	0.5	25	20	25	20	20	20		110	D	20	20	F	75×52×129	SLA1DF02T4D15	1.2	
	15	4.5	0.5	25	20	25	20	20	20	10	185	W	30	25	H	75×52×129	SLA1WH02T4D15	1.2	
3/4"	20	9.0	0.5	25	20	25	20	20	20		110	D	20	20	F	85×60×141	SLA1DF02T4E20	1.5	
	20	9.0	0.5	25	20	25	20	20	20	10	185	W	30	25	H	85×60×141	SLA1WH02T4E20	1.5	
1"	25	13	0.5	25	20	25	20	20	20		110	D	20	20	F	100×70×148	SLA1DF02T4G25	1.9	
	25	13	0.5	25	20	25	20	20	20	10	185	W	30	25	H	100×70×148	SLA1WH02T4G25	1.9	
1 1/4"	35	26	0.5	25	20	25	20	20	20		110	D	20	20	F	120×90×168	SLA1DF02T4H35	3.6	
	35	26	0.5	25	20	25	20	20	20	10	185	W	30	25	H	120×90×168	SLA1WH02T4H35	3.6	
1 1/2"	35	26	0.5	25	20	25	20	20	20		110	D	20	20	F	120×90×168	SLA1DF02T4J35	3.5	
	35	26	0.5	25	20	25	20	20	20	10	185	W	30	25	H	120×90×168	SLA1WH02T4J35	3.5	
2"	45	45	0.5	25	20	25	20	20	20		110	D	20	20	F	150×110×190	SLA1DF02T4F50	4.2	
	45	45	0.5	25	20	25	20	20	20	10	185	W	30	25	H	150×110×190	SLA1WH02T4K50	4.2	

# SLA 2/2-Way Pilot Operated Piston Solenoid Valve • Normally Closed

## Valve Selection List (Flange Connection)

Orifice mm	CV Factor	Operating pressure differential ( kgf/cm <sup>2</sup> )								Max. Fluids Temp.	Coil		Power consumption		Model Code Follows Voltage are 220VAC 50/60HZ	Weight (KG)	
		Min.	Max.								Type	Class	VA	W			
			Air Gas		Water Hot water Liquids		Light oil		Steam AC/ DC				AC 220 V	DC 24 V			
			AC	DC	AC	DC	AC	DC									
25	13	0.5	25	20	25	20	20	20		110	D	F	20	20	SLA1DF02T4F25	3.4	
25	13	0.5	25	20	25	20	20	20	10	185	W	H	30	25	SLA1WH02T4F25	3.4	
35	26	0.5	25	20	25	20	20	20		110	D	F	20	20	SLA1DF02T4F35	6	
35	26	0.5	25	20	25	20	20	20	10	185	W	H	30	25	SLA1WH02T4F35	6	
40	26	0.5	25	20	25	20	20	20		110	D	F	20	20	SLA1DF02T4F40	6.5	
40	26	0.5	25	20	25	20	20	20	10	185	W	H	30	25	SLA1WH02T4F40	6.5	
50	45	0.5	25	20	25	20	20	20		110	D	F	20	20	SLA1DF02T4F50	7.3	
50	45	0.5	25	20	25	20	20	20	10	185	W	H	30	25	SLA1WH02T4F50	7.3	

## Construction, External Dimensions Chart



Model	A	B	C	φD	φE	φF	φG	H
DN25	134	13	2	110	58	4-14	85	185
DN32	160	15	2	135	76	4-18	100	200
DN40	160	15	2	145	84	4-18	110	205
DN50	200	16	2	155	88	4-18	125	250