

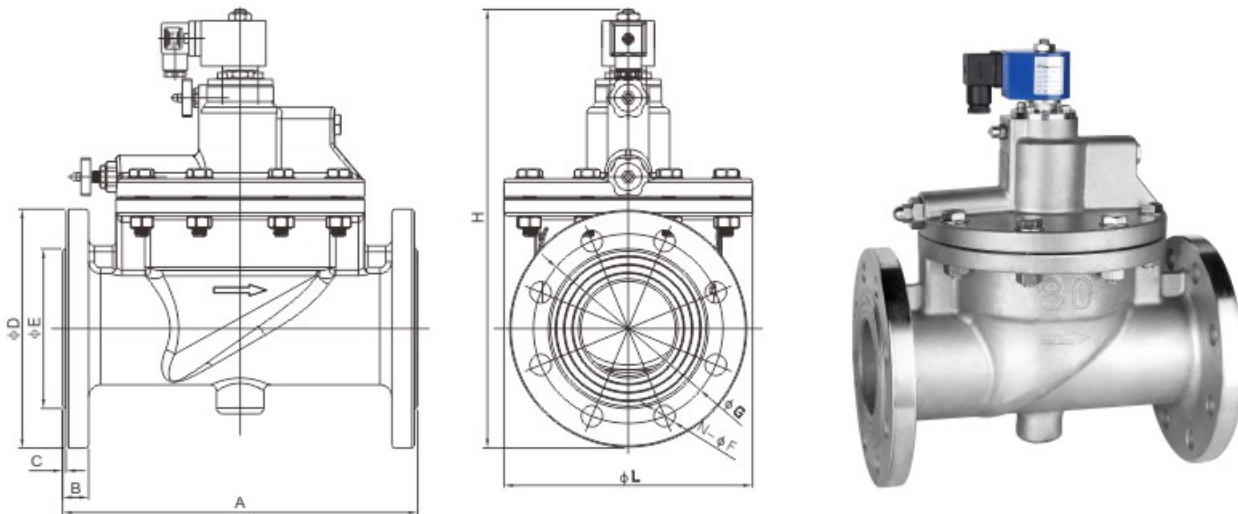
Sanlixin Solenoid Valve

SLA 2/2-Way Pilot Operated Piston Solenoid Valve · Normally Closed

Valve Selection List (Flange Connection)

Orifice mm	CV Factor	Operating pressure differential (kgf/cm ²)								Max. Fluids Temp.	Coil		Model Code Follows Voltage are 220VAC 50/60HZ	
		Min.	Max.				AC/DC	Type	Class					
			Air Gas		Water Hot water Liquids						Light oil			Steam
AC	DC	AC	DC	AC	DC	AC	DC	AC/DC						
65	52	0.5	16	16	16	16	16	16	16		110	M	F	SLA1MF02T4F65
65	52	0.5	16	16	16	16	16	16	16	10	200	A	H	SLA1AH02T4F65
80	80	0.5	16	16	16	16	16	16	16		110	M	F	SLA1MF02T4F80
80	80	0.5	16	16	16	16	16	16	16	10	200	A	H	SLA1AH02T4F80

Construction, External Dimensions Chart

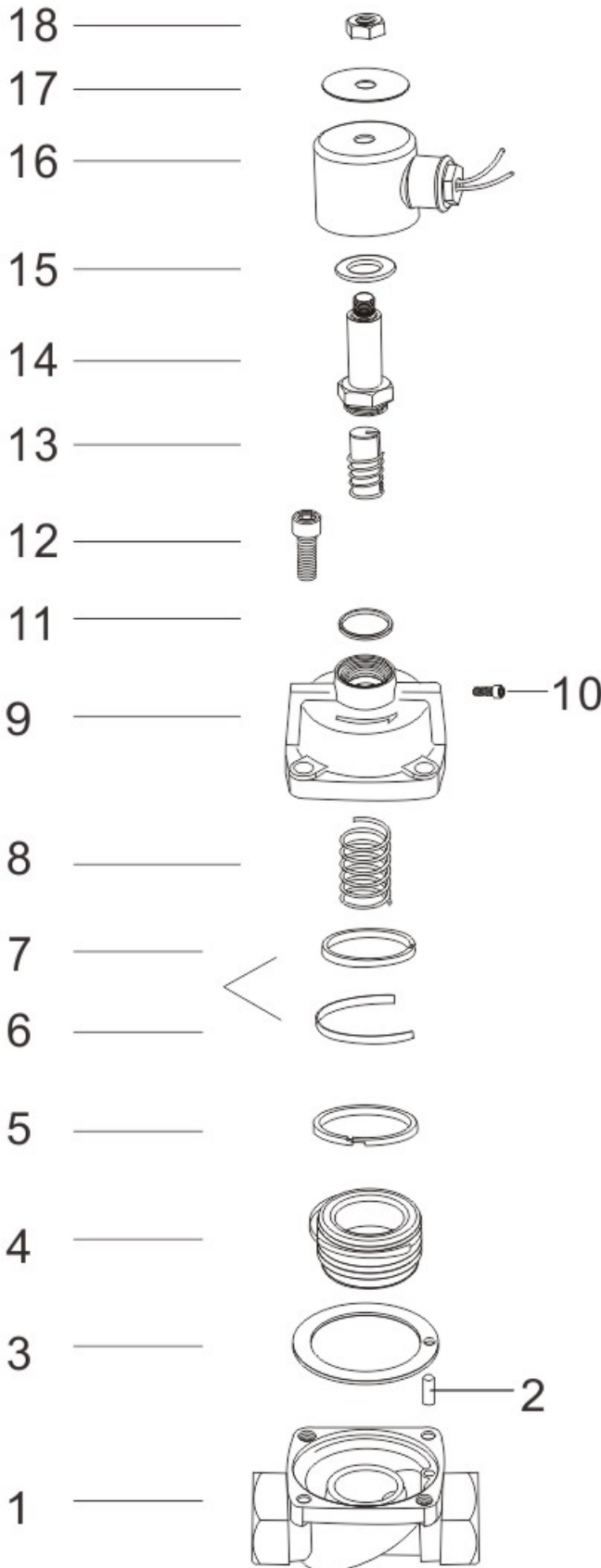


CODE	A	B	C	D	E	F	G	H	N	Material
SLA-65BF	270	22	3	185	125	18	145	335	8	SS304
SLA-80BF	300	22	3	200	135	18	165	370	8	SS304

Sanlixin Solenoid Valve

SLA 2/2-Way Pilot Operated Piston Solenoid Valve • Normally Closed

Components Chart



Code	Components
01	Valve Body
02	Fixed Bolt
03	Body Seals Ring
04	Piston Assembly
05	Piston Ring 1
06	Elastic Ring
07	Piston Ring 2
08	Piston Spring
09	Valve Cover
10	Steel Ball
11	Plunger Tube Seal Ring
12	Bolts
13	Plunger Assembly
14	Plunger Tube Assembly
15	Plate
16	Coil
17	Label
18	Lock nut