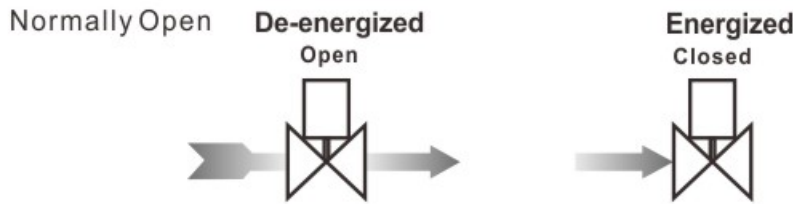
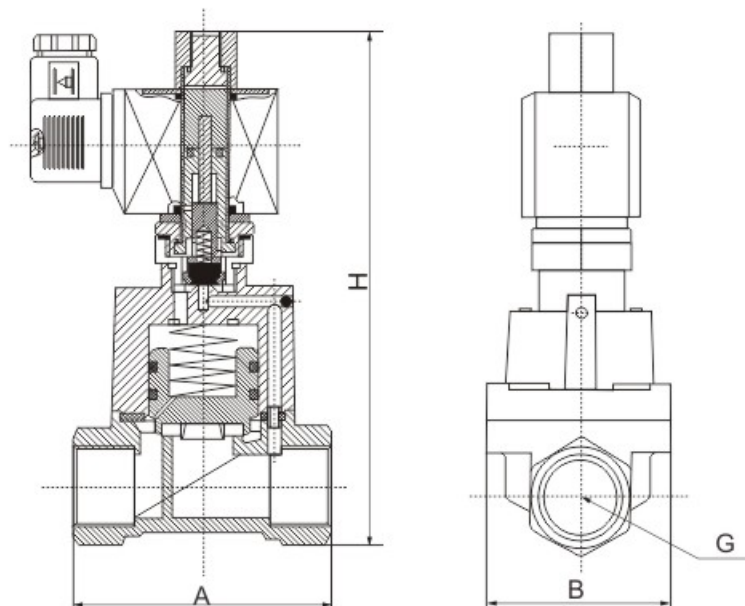


# SLA 2/2-Way Pilot Operated Piston Solenoid Valve · Normally Open

- 1:** 2-Way normally open solenoid valve;  
Open when de-energized, closed when energized.
- 2:** Body material: forged brass
- 3:** Max. Allowable pressure 12kgf/cm<sup>2</sup>;  
Ambient Temp. 0℃~65℃ (F CLASS) , 0℃~80℃ (H CLASS)
- 4:** Serialized products, small in size, large flow rate, widely use.
- 5:** Flow as the arrow, mounts in any position;  
Best position is Solenoid vertical and upright direction.
- 6:** Voltage: 220VAC/230VAC/240VAC/110VAC/24VAC 50/60HZ 24VDC/12VDC;  
Voltage Tolerance: +10% to -10% applicable voltage.
- 7:** This series valves are offered Teflon for Seals to provide on-off control of various fluids.



## Construction, External Dimensions Chart



# Sanlixin Solenoid Valve

## **SLA 2/2-Way Pilot Operated Piston Solenoid Valve • Normally Open**

### Valve Selection List

Pipe Conn- ection	Orifice mm	CV Factor	Operating pressure differential ( kgf/cm <sup>2</sup> )					Max. Fluids Temp.	Coil Type	Power consumption		Coil Class	External Dimensions Length x Width x Height A x B x H	Model Code Follows Voltage are 220VAC 50/60HZ	Weight KG
			Min.	Max.						VA AC 220 V	W DC 24 V				
				Air Gas	Water Hot water Liquids	Light oil	Steam								
3/8"	15	4.5	0.5	10	10	10	10	110	D	33	20	F	75×52×147	SLA2DF02V1C15	1.45
	15	4.5	0.5	10	10	10	10	185	W	33	32	H	75×52×147	SLA2WH02T1C15	1.45
1/2"	15	4.5	0.5	10	10	10	10	110	D	33	20	F	75×52×147	SLA2DF02V1D15	1.4
	15	4.5	0.5	10	10	10	10	185	W	33	32	H	75×52×147	SLA2WH02T1D15	1.4
3/4"	20	9.0	0.5	10	10	10	10	110	D	33	20	F	85×60×159	SLA2DF02V1E20	1.7
	20	9.0	0.5	10	10	10	10	185	W	33	32	H	85×60×159	SLA2WH02T1E20	1.7
1"	25	13	0.5	10	10	10	10	110	D	33	20	F	100×70×166	SLA2DF02V1G25	2.1
	25	13	0.5	10	10	10	10	185	W	33	32	H	100×70×166	SLA2WH02T1G25	2.1
1 1/4"	35	26	0.5	6	6	6	6	110	D	33	20	F	120×90×186	SLA2DF02V1H35	3.8
	35	26	0.5	6	6	6	6	170	W	33	32	H	120×90×186	SLA2WH02T1H35	3.8
1 1/2"	35	26	0.5	6	6	6	6	110	D	33	20	F	120×90×186	SLA2DF02V1J35	3.7
	35	26	0.5	6	6	6	6	170	W	33	32	H	120×90×186	SLA2WH02T1J35	3.7
2"	50	48	0.5	6	6	6	6	110	D	33	20	F	150×110×205	SLA2DF02V1K50	4.7
	50	48	0.5	6	6	6	6	170	W	33	32	H	150×110×205	SLA2WH02T1K50	4.7