

SLA 2/2-Way Pilot Operated Piston Solenoid Valve • Normally Open

- 1:** 2-Way normally open solenoid valve; Open when de-energized, closed when energized.
- 2:** Body material forged 304 stainless steel (standard), 316 stainless steel (special made)
- 3:** Max. Allowable pressure 12kgf/cm²; Ambient Temp. 0°C~65°C (F CLASS), 0°C~80°C (H CLASS)
- 4:** Serialized products, small in size, large flow rate, widely use.
- 5:** Flow as the arrow, mounts in any position;
Best position is Solenoid vertical and upright direction.
- 6:** Voltage: 220VAC/230VAC/240VAC/110VAC/24VAC 50/60HZ 24VDC/12VDC;
Voltage Tolerance: +10% to -10% applicable voltage.
- 7:** This series valves are offered Teflon for Seals to provide on-off control of various fluids.



Valve Selection List (Female Thread)

Pipe Connection	Orifice mm	CV Factor	Operating pressure differential (kgf/cm ²)					Max. Fluids Temp.	Coil Type	Power consumption		Coil Class	External Dimensions Length x Width x Height A x B x H	Model Code Follows Voltage are 220VAC 50/60HZ	Weight (KG)
			Min.	Max.						VA	W				
				Air Gas	Water Hot water Liquids	Light oil	Steam								
3/8"	15	4.5	0.5	10	10	10	10	110	D	33	20	F	75×52×147	SLA2DF02V4C15	1.45
	15	4.5	0.5	10	10	10	10	185	W	33	32	H	75×52×147	SLA2WH02T4C15	1.45
1/2"	15	4.5	0.5	10	10	10	10	110	D	33	20	F	75×52×147	SLA2DF02V4D15	1.4
	15	4.5	0.5	10	10	10	10	185	W	33	32	H	75×52×147	SLA2WH02T4D15	1.4
3/4"	20	9.0	0.5	10	10	10	10	110	D	33	20	F	85×60×159	SLA2DF02V4E20	1.7
	20	9.0	0.5	10	10	10	10	185	W	33	32	H	85×60×159	SLA2WH02T4E20	1.7
1"	25	13	0.5	10	10	10	10	110	D	33	20	F	100×70×166	SLA2DF02V4G25	2.1
	25	13	0.5	10	10	10	10	185	W	33	32	H	100×70×166	SLA2WH02T4G25	2.1
1 1/4"	35	26	0.5	6	6	6	6	110	D	33	20	F	120×90×186	SLA2DF02V4H35	3.8
	35	26	0.5	6	6	6	6	185	W	33	32	H	120×90×186	SLA2WH02T4H35	3.8
1 1/2"	35	26	0.5	6	6	6	6	110	D	33	20	F	120×90×186	SLA2DF02V4J35	3.7
	35	26	0.5	6	6	6	6	185	W	33	32	H	120×90×186	SLA2WH02T4J35	3.7
2"	50	48	0.5	6	6	6	6	110	D	33	20	F	150×110×205	SLA2DF02V4K50	4.7
	50	48	0.5	6	6	6	6	170	W	33	32	H	150×110×205	SLA2WH02T4K50	4.7

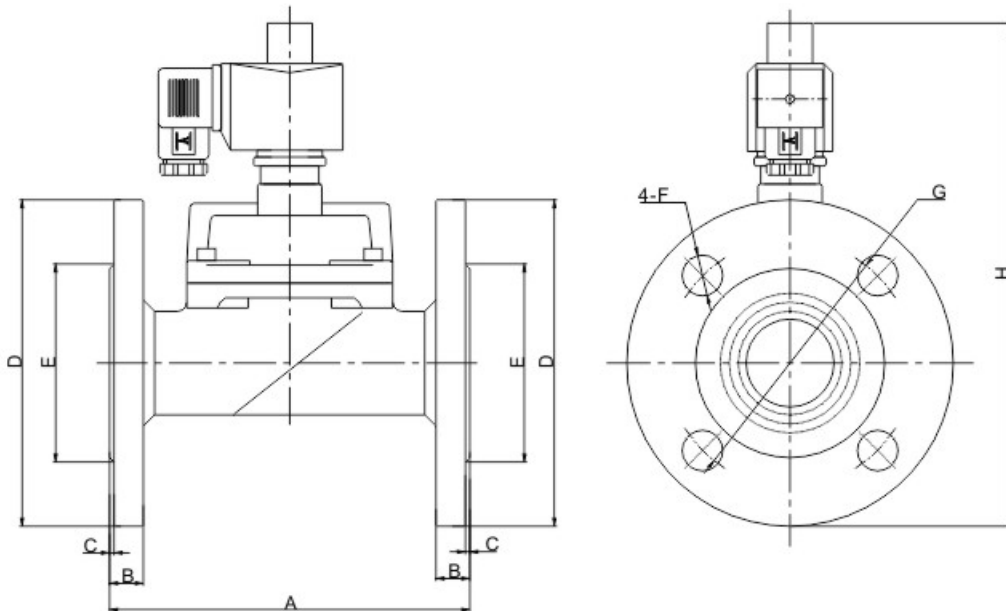
Sanlixin Solenoid Valve

SLA 2/2-Way Pilot Operated Piston Solenoid Valve • Normally Open

Valve Selection List (Flange Connection)

Orifice mm	CV Factor	Operating pressure differential (kgf/cm ²)								Max. Fluids Temp.	Coil		Power consumption		Model Code Follows Voltage are 220VAC 50/60HZ	Weight (KG)	
		Min.	Max.								Type	Class	VA	W			
			Air Gas		Water Hot water Liquids		Light oil		Steam AC/ DC				AC 220 V	DC 24 V			
			AC	DC	AC	DC	AC	DC									
25	13	0.5	10	10	10	10	10	10	10	110	D	F	33	20	SLA2DF02V4F25	3.6	
25	13	0.5	10	10	10	10	10	10	10	185	W	H	33	32	SLA2WH02T4F25	3.6	
35	26	0.5	6	6	6	6	6	6	6	110	D	F	33	20	SLA2DF02V4F35	6.2	
35	26	0.5	6	6	6	6	6	6	6	185	W	H	33	32	SLA2WH02T4F35	6.2	
40	26	0.5	6	6	6	6	6	6	6	110	D	F	33	20	SLA2DF02V4F40	6.7	
40	26	0.5	6	6	6	6	6	6	6	185	W	H	33	32	SLA2WH02T4F40	6.7	
45	45	0.5	6	6	6	6	6	6	6	110	D	F	33	20	SLA2DF02V4F50	7.5	
45	45	0.5	6	6	6	6	6	6	6	185	W	H	33	32	SLA2WH02T4F50	7.5	

Construction, External Dimensions Chart



Model	A	B	C	φ D	φ E	φ F	φ G	H
DN25	134	13	2	110	58	4-14	85	201
DN32	160	15	2	135	76	4-18	100	216
DN40	160	15	2	145	84	4-18	110	221
DN50	200	16	2	155	88	4-18	125	266

SLA Series Coil parameters tables

SLA Series Coils Characteristics List

Coils Model Code	Voltage	Power consumption					Suitable Valve Model
		50HZ VA		60HZ VA		DC	
		Inrush	Holding	Inrush	Holding	W	
D04-3101	AC220V	55	22	55	18		SLA Normally Closed Series φ 2.5~4.5mm
D04-3102	AC110V	55	22	55	18	—	
D04-3106	DC24V	—				13	
D04-3107	DC12V	—				13	
D01-4101	AC220V	82	20	82	20		SLA Normally Closed Series
W08-		67	33	67	33		
D01-4102	AC110V	82	28	82	28		
W08-		67	33	67	33		
D03-5101	DC24V	—				20	
W08-		—				32	
D01-4101	AC220V	82	20	82	20		SLA Normally Open Series
D01-4102	AC110V	82	28	82	28		
D01-4106	DC24V	—				20	
D01-4107	DC12V	—				20	