

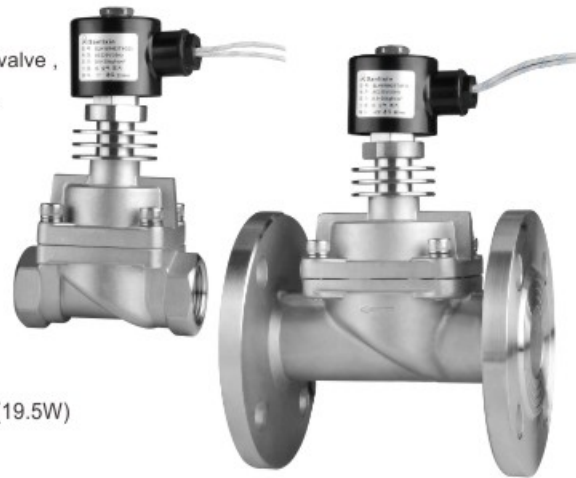
Sanlixin Solenoid Valve

SLH 2/2-Way High Temperature Solenoid Valve • Normally Closed

SLH 2/2 way normally closed ,high temperature solenoid valve series , it's a common operator in the automatic control system ; adpot the pilot valve , radiator , the pistons(main valve) to be a combination structure design , energized open , de-energized closed .

Mainly used in the automatic open/closed in the pipeline of steam , heat-conducting oil etc high-temperature media

So as to achieve the procedure control or long-distance control of systems and equipment



Main technical parameters

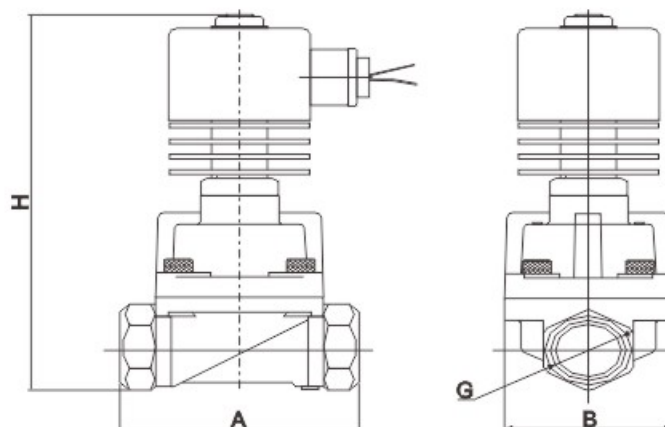
- 1, Voltage:** AC220V AC110V maintain power AC: 33VA (19.5W)
DC24V power DC: 24W
Voltage tolerance: $\pm 10\%$ (Other voltage can be customized)
- 2, Coil type:** Standard H Class Metallic Housing ,lead wires (W type)
- 3, Media temp:** 5°C~250 °C (Seals Teflon+metal)
- 4, Media:** Steam. heat-conducting oil etc(pls choose according to the related seals)
- 5, Action:** Pilot structure solenoid valve, started by operation pressure
- 6, Body material:** Stainless Steel
- 7, Install:** Flow as the arrow, solenoid vertical and upright direction

Energized/De-energized Working Chart**

Normally Closed



External Dimensions**



SLH 2/2-Way High Temperature Solenoid Valve • Normally Closed

Valve Selection List

Conn- ection thread	Orifice (mm)	CV factor	Operating pressure differential kgf/cm			Max temp. °C	External Dimensions Length A x Width B x Height H	Model Code Follows Voltage are AC220V	Weight Kg
			min press ure	Max pressure					
				Heat-condu cting oil	Steam				
3/8"	15	4.5	0.5	25	25	225	75x52x159	SLH1WH02T4C15	1.4
1/2"	15	4.5	0.5	25	25	225	75x52x159	SLH1WH02T4D15	1.36
3/4"	20	8.0	0.5	25	25	225	85x60x171	SLH1WH02T4E20	1.66
1"	25	12	0.5	25	25	225	100x70x178	SLH1WH02T4G25	2.06
1 1/4"	35	22	0.5	25	25	225	120x90x198	SLH1WH02T4H35	3.76
1 1/2"	35	22	0.5	25	25	225	120x90x198	SLH1WH02T4J35	3.66
2"	50	45	0.5	25	25	225	150x110x220	SLH1WH02T4K50	4.36

Solenoid Valves Numbering System for Order

Position description	1	2	3	4	5	6	7	8	9	10
	Valve Series	Mode of Operation	Coil Type	Coil Class	Voltage	Seals Material	Body Material	Pipe Size	Orifice (mm)	Options
E.G.	SLH	1	W	H	02	T	1	E	20	<input type="checkbox"/>
		1: Normally Colsed	W: Metallic housing, lead wires	H: H class High temp- erature coil	02= AC220V 01= AC110V 08= AC380V 12= DC12V 13= DC24V	T= Teflon	4= SS304 3= SS316	C =3/8" D =1/2" E =3/4" G =1" H =1 1/4" J =1 1/2" K =2" F =Flange connection	15=15 20=20 25=25 35=35 40=40 50=50 25=25 32=32 40=35 50=45	Code name: N =NPT Connection

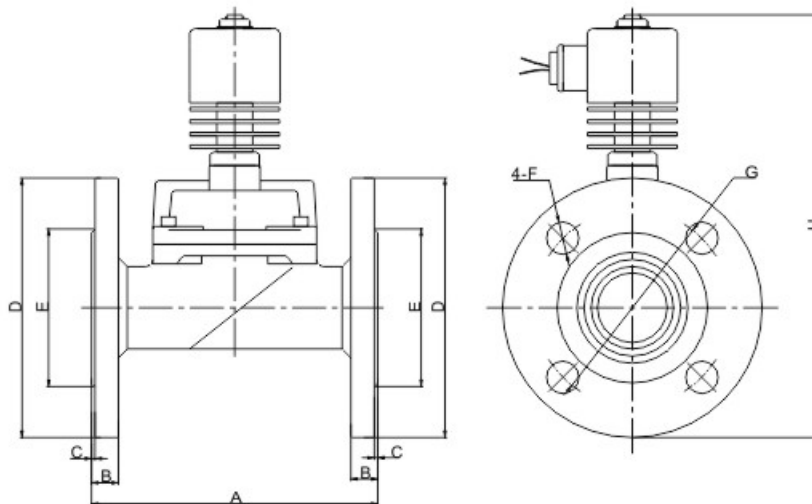
Sanlixin Solenoid Valve

SLH 2/2-Way High Temperature Solenoid Valve • Normally Closed

Valve Selection List (Flange Connection)

Orifice mm	CV factor	Operating pressure differential kgf/cm ²			Max temp. °C	Coil		Model Code Follows Voltage are 220VAC 50/60HZ	Weight Kg
		min press ure	Max pressure			Type	Class		
			Heat-condu cting oil	Steam					
25	12	0.5	25	25	225	W	H	SLH1WH02T4F25	3.56
32	22	0.5	25	25	225	W	H	SLH1WH02T4F32	6.16
40	22	0.5	25	25	225	W	H	SLH1WH02T4F40	6.66
50	45	0.5	25	25	225	W	H	SLH1WH02T4F50	7.46

Construction, External Dimensions Chart



Model	A	B	C	ΦD	ΦE	ΦF	ΦG	H
DN25	134	13	2	110	58	4-14	80	215
DN32	160	15	2	135	76	4-18	100	230
DN40	160	15	2	145	84	4-18	110	235
DN50	200	16	2	155	88	4-18	125	280