

Sanlixin Solenoid Valve

SLG Series 2/2-Way High Pressure Solenoid Valve • Normally Closed

Solenoid Valves Numbering System for Order

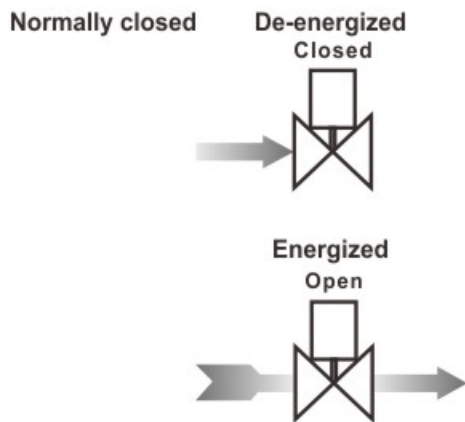
Position description	1	2	3	4	5	6	7	8	9	10
	Valve Series	Mode of Operation	Coil Type	Coil Class	Voltage	Seal Material	Body Material	Pipe Size	Orifice (mm)	Options
E.G.	SLG	1	D	F	02	V	1	A	01	<input type="checkbox"/>
	SLG Series	1: Normally Closed	D: DIN Standard Connections, Fully Encapsulated S: NASS Coil	F: F Class	02= AC220V AC230V 50/60HZ 13= DC=24V Contact the Company for other voltage	N=NRB V=VITON T=Teflon	1= Forged Brass 3= SS316 4= SS304	A=1/8" B=1/4" C=3/8" D=1/2" E=3/4" G=1"	01=1.0 C1=1.2 C2=1.5 02=2.0 C3=2.5 01=1.0 C1=1.2 C2=1.5 02=2.0 C3=2.5 08=8.0 08=8.0 15=15.0 20=20.0 25=25.0	L= Neon lamp N= NPT Connection M= Manual Override

SLG Series Coils Characteristics List

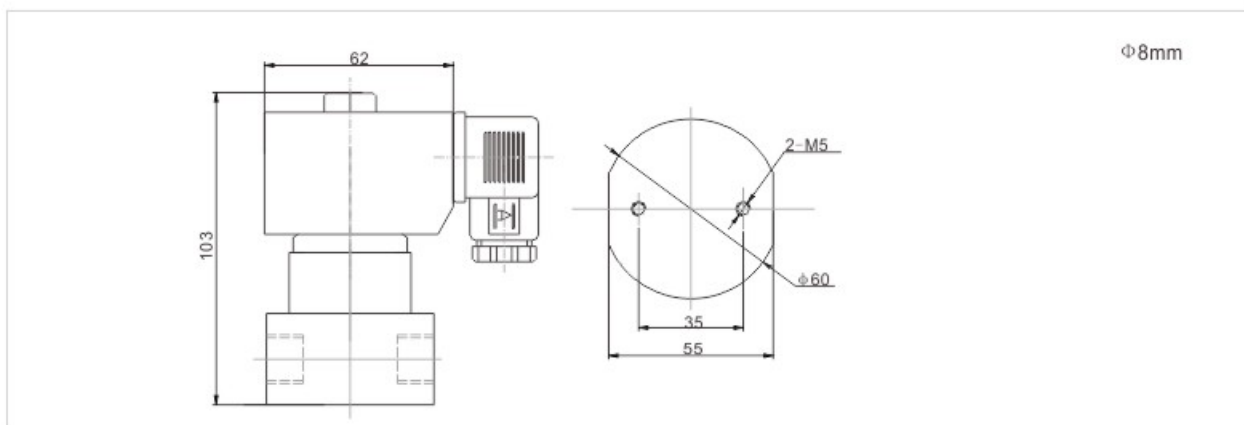
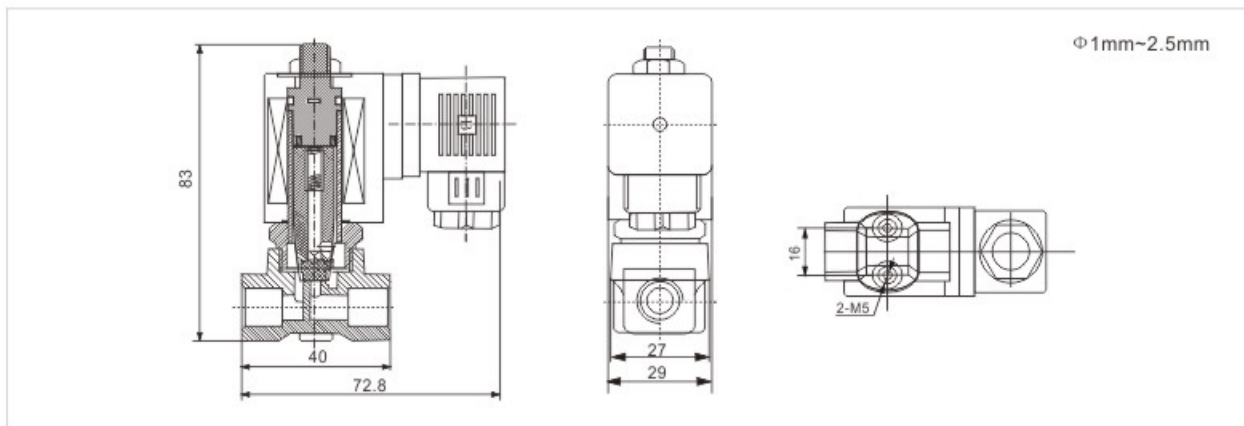
Coils Model Code	Voltage	Power consumption				Orifice	
		50HZ (VA)		60HZ (VA)			DC W
		Inrush	Holding	Inrush	Holding		
S0545 NASS	AC220V	46	24	46	19	φ 1~2.5mm	
D04-5101	AC220V	55	24	55	19		
S0545 NASS	DC24V						15.5
D04-5106	DC24V						28
D03-5109*	AC220V	Coil with Rectifier				35	φ 8mm
D04-4101	AC220V	82	20	82	20	φ 15~25mm	
D03-5106	DC24V					28	φ 8~25mm

SLG Series 2/2-Way High Pressure Solenoid Valve · Normally Closed

- 1:** 2-Way normally closed solenoid valve;
Closed when de-energized, open when energized.
- 2:** Special design, Serialized products .small in size .large flow rate.widely use.
- 3:** Body material: SS304.
- 4:** Ambient Temp. 0℃~65℃; Fluids Temp: 0℃~110℃.
- 5:** Flow as the arrow .mounts in any position ;Best position is Solenoid vertical and upright direction.
- 6:** Voltage: 220VAC /230VAC/380VAC/50/60HZ 24VDC;
Voltage Tolerance: +10% to -10% applicable voltage;
Coil can fix Germany Nass Coil.



Construction, External Dimensions Chart



Sanlixin Solenoid Valve

SLG Series 2/2-Way High Pressure Solenoid Valve • Normally Closed

Valve Selection List

Pipe Conn- ection	Orifice mm	CV Factor	Operating pressure differential (kgf/cm ²)							Max. Temp. °C	Power consumption		Model Code Follows Voltage are 220VAC 50/60HZ		Weight KG
			Min.	Max.							AC 220V	W 24V			
				Air		Water Liquids		Light oil ≤20CST							
				AC	DC	AC	DC	AC	DC						
1/8"	1.0	0.04	0	100	75	100	75	100	75	110	24	18.5	SLG1DF02V1A01	SLG1DF02V3A01	0.43
	1.2	0.05	0	90	70	90	70	90	70	110	24	18.5	SLG1DF02V1AC1	SLG1DF02V3AC1	0.43
	1.5	0.08	0	75	50	75	50	75	50	110	24	18.5	SLG1DF02V1AC2	SLG1DF02V3AC2	0.43
	2.0	0.14	0	35	30	35	30	35	30	110	24	18.5	SLG1DF02V1A02	SLG1DF02V3A02	0.43
	2.5	0.23	0	20	15	20	15	20	15	110	24	18.5	SLG1DF02V1AC3	SLG1DF02V3AC3	0.43
1/4"	1.0	0.04	0	100	75	100	75	100	75	110	24	18.5	SLG1DF02V1B01	SLG1DF02V3B01	0.42
	1.2	0.05	0	90	70	90	70	90	70	110	24	18.5	SLG1DF02V1BC1	SLG1DF02V3BC1	0.42
	1.5	0.08	0	75	50	75	50	75	50	110	24	18.5	SLG1DF02V1BC2	SLG1DF02V3BC2	0.42
	2.0	0.14	0	35	30	35	30	35	30	110	24	18.5	SLG1DF02V1B02	SLG1DF02V3B02	0.42
	2.5	0.23	0	20	15	20	15	20	15	110	24	18.5	SLG1DF02V1BC3	SLG1DF02V3BC3	0.42
	8.0	1.0	0.5	90	70	90	70	70	50	80	35*		SLG1DF02V1B08	SLG1DF02T4B08	1.26
3/8"	8.0	1.2	0.5	90	70	90	70	70	50	80	35*		SLG1DF02V1C08	SLG1DF02T4C08	1.24
	15	4.2	1.0	75	55	75	55	55	35	110	33	25	SLG1DF02N1C15	SLG1DF02T4C15	1.45
1/2"	8.0	1.2	0.5	90	70	90	70	70	50	80	35*		SLG1DF02V1D08	SLG1DF02T4D08	1.21
	15	4.2	1.0	75	55	75	55	55	35	110	33	25	SLG1DF02N1D15	SLG1DF02T4D15	1.4
3/4"	20	7	1.0	65	50	65	50	50	30	110	33	25	SLG1DF02N1E20	SLG1DF02T4E20	1.7
1"	25	11	1.0	55	45	55	45	45	30	110	33	25	SLG1DF02N1G25	SLG1DF02T4G25	2.1

External Dimensions Chart

