

SLZ Series-2/2-Way High Pressure Solenoid Valve · Normally Closed

- 1:** SLZ Series 2-way normally closed solenoid valve, closed when de-energized, open when energized.
- 2:** Serialized products, small in size, low power, high pressure.
- 3:** Seals: NBR VITON EPDM
- 4:** Body material: brass SS304
- 5:** Media: air, water, etc.
- 6:** Working pressure: 0~170kg/cm²
- 7:** Ambient Temperature: 0~65°C Media Temperature: 0-110°C
- 8:** Fixed as the arrow, best position is solenoid vertical and upright direction.



Solenoid Valves Numbering System for Order

Position description	1	2	3	4	5	6	7	8	9	10
	Valve Series	Mode of Operation	Coil Type	Coil Class	Voltage	Seal Material	Body Material	Pipe Size	Orifice φ mm	Options
E.G.	SLZ	1	D	F	02	N	1	A	01	
		1: Normally Closed	D: DIN Standard Connections, Fully Encapsulated	F: Class	02=220VAC 01=110VAC 13=DC24V 12=DC12V	N=NBR V=VITON E=EPDM K=PEEK T=PTFE	1= Forged Brass 3= SS316	A=1/8" B=1/4" C=3/8"	01=1.0 C1=1.2 C2=1.5 02=2.0 C3=2.5 03=3.0	L= Neon lamp N: NPT Connection

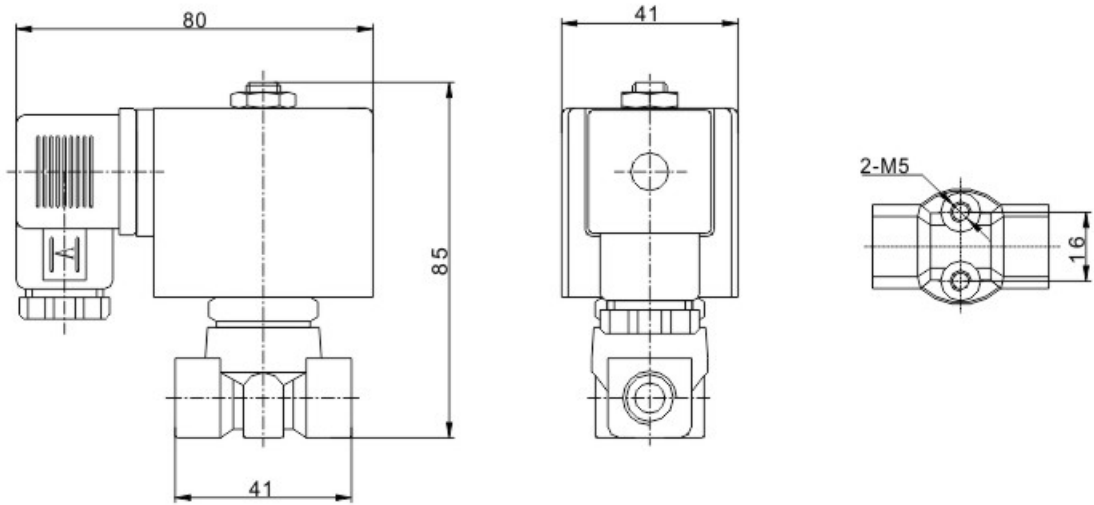
Valve Selection List

Pipe Connection	Orifice mm	CV Factor	Operating pressure differential (kgf/cm ²)							Max. Temp. °C	Power		Model Code AC220V 50/60HZ Seals: VITON		Weight (KG)
			Min.	Max.							AC 220	DC 24V	Body material:		
				Air		Water Liquids		Light oil 20°CST					Brass	Stainless Steel	
				AC	DC	AC	DC	AC	DC						
1/8"	1.0	0.04	0	170	110	170	110	160	106	110	19	17	SLZ1DF02V1A01	SLZ1DF02V3A01	0.46
	1.2	0.05	0	150	100	150	100	140	93	110	19	17	SLZ1DF02V1AC1	SLZ1DF02V3AC1	
	1.5	0.08	0	130	86	130	86	120	80	110	19	17	SLZ1DF02V1AC2	SLZ1DF02V3AC2	
	2.0	0.14	0	90	60	90	60	80	53	110	19	17	SLZ1DF02V1A02	SLZ1DF02V3A02	
	2.5	0.23	0	60	40	60	40	50	33	110	19	17	SLZ1DF02V1AC3	SLZ1DF02V3AC3	
	3.0	0.25	0	30	20	30	20	20	13	110	19	17	SLZ1DF02V1A03	SLZ1DF02V3A03	
1/4"	1.0	0.04	0	170	110	170	110	160	106	110	19	17	SLZ1DF02V1B01	SLZ1DF02V3B01	0.45
	1.2	0.05	0	150	100	150	100	140	93	110	19	17	SLZ1DF02V1BC1	SLZ1DF02V3BC1	
	1.5	0.08	0	130	86	130	86	120	80	110	19	17	SLZ1DF02V1BC2	SLZ1DF02V3BC2	
	2.0	0.14	0	90	60	90	60	80	53	110	19	17	SLZ1DF02V1B02	SLZ1DF02V3B02	
	2.5	0.23	0	60	40	60	40	50	33	110	19	17	SLZ1DF02V1BC3	SLZ1DF02V3BC3	
	3.0	0.25	0	30	20	30	20	20	13	110	19	17	SLZ1DF02V1B03	SLZ1DF02V3B03	
3/8"	2.5	0.23	0	60	40	60	40	50	33	110	19	17	SLZ1DF02V1CC3	SLZ1DF02V3CC3	0.45
	3.0	0.25	0	30	20	30	20	20	13	110	19	17	SLZ1DF02V1C03	SLZ1DF02V3C03	

Sanlixin Solenoid Valve

SLZ Series 2/2-Way High Pressure Solenoid Valve · Normally Closed

Construction, External Dimensions Chart



Coils Dimension

