

Sanlixin Solenoid Valve

SLT Series 3/2-way Pilot Operated Solenoid Valve · Normally Closed

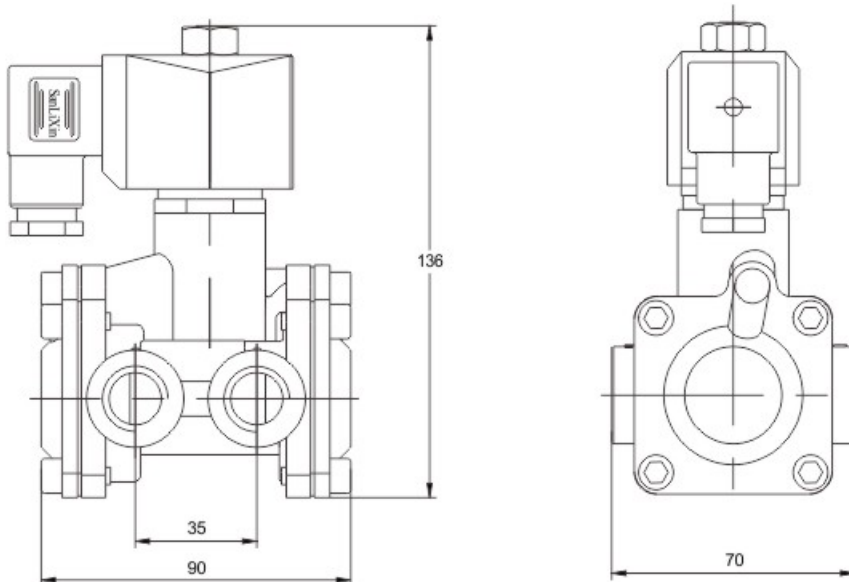
- 1.SLT series, 3–way solenoid valve feature pilot diaphragm construction together with a high flow rate. This The valve are highly resistant to dust, water deposits and other foreign matter.Capable of working at minimal differential pressures.
- 2.This valve have normally closed & normally open type
- 3.Seals: NBR、VITON、EPDM。
- 4.Body Material: Brass
- 5.Fluid media: Air, Water, ect.
- 6.Working Pressure: 0.5~10kgf/cm²
- 7.Ambient Temp.: 0~65℃; Fluid Temp.:0~110℃
- 8.Coil can fix SM Coil.



1	2	3	4	5	6	7	8	9	10
Series	Operating mode	Coil type	Coil Class	Voltage	Seal material	Body material	Pipe connection	Orifice	Option
SLT	1	D	F	02	N	1	D	16	
	1 = N.C. 2 = N.O.	D= DIN standard connections , fully encapsulated M= SM series coil	F= F class	02= AC220V 13= DC24V	N=NBR V=VITON E=EPDM	1= Forged brass	C=3/8" D=1/2"	16=16.0	L= With LED Plug N= NPT thread

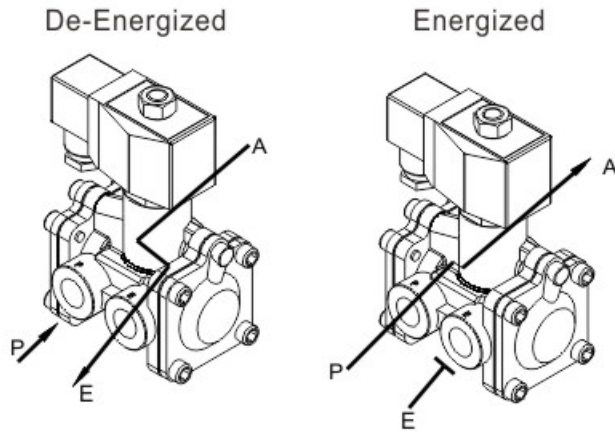
Construction, external dimensions chart

Weight:1.65kg



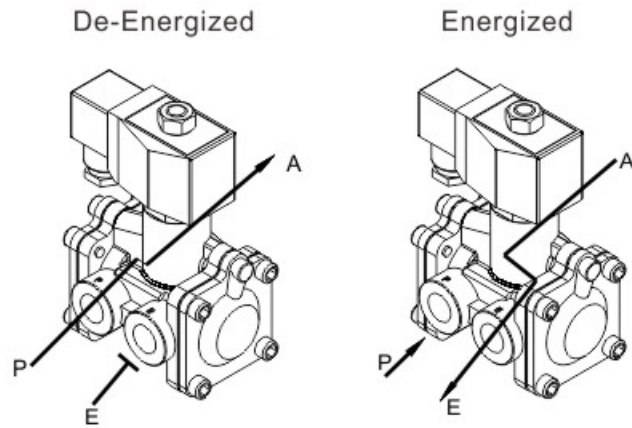
SLT Series 3/2-way Pilot Operated Solenoid Valve · Normally Closed

Normally closed type



Pipe connection	Orifice mm	CV factor	Operating pressure (kgf/cm ²)			Max. Fluids Temp. °C	Coil class	Power consumption		Model Code AC220V 50/60HZ NBR
			Min.	Max.				VA	W	
				Air	Water, liquids			AC220V	DC24V	
3/8"	16	3.3	0.5	10	10	80	F	20	20	SLT1DF02N1C16
	16	3.3	0.5	10	10	120	F	20	20	SLT1DF02E1C16
	16	3.3	0.5	10	10	120	F	20	20	SLT1DF02V1C16
1/2"	16	3.3	0.5	10	10	80	F	20	20	SLT1DF02N1D16
	16	3.3	0.5	10	10	120	F	20	20	SLT1DF02E1D16
	16	3.3	0.5	10	10	120	F	20	20	SLT1DF02V1D16

Normally open type



Pipe connection	Orifice mm	CV factor	Operating pressure (kgf/cm ²)			Max. Fluids Temp. °C	Coil class	Power consumption		Model Code AC220V 50/60HZ NBR
			Min.	Max.				VA	W	
				Air	Water, liquids			AC220V	DC24V	
3/8"	16	3.3	0.5	10	10	80	F	20	20	SLT2DF02N1C16
	16	3.3	0.5	10	10	120	F	20	20	SLT2DF02E1C16
	16	3.3	0.5	10	10	120	F	20	20	SLT2DF02V1C16
1/2"	16	3.3	0.5	10	10	80	F	20	20	SLT2DF02N1D16
	16	3.3	0.5	10	10	120	F	20	20	SLT2DF02E1D16
	16	3.3	0.5	10	10	120	F	20	20	SLT2DF02V1D16