

# Sanlixin Solenoid Valve

## **SLC Series Water Dispenser Plastic Solenoid Valve · Normally Closed**

### SLC Water Valve

2-way normallyclosed, 1/8 & 1/4 pipe size, plastic valvebody

### Specification

Direct acting, Normally closed
Response time: 6~20MSEL
Mounting: Solenoid vertical and upright direction. Fixing screw M5

### Using

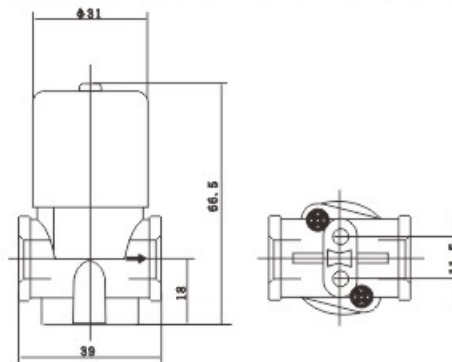
Fluid media: water
Fluids temp.: 0°C ~ 100°C
Ambient temp.: -10°C ~ +40°C



### Characteristics

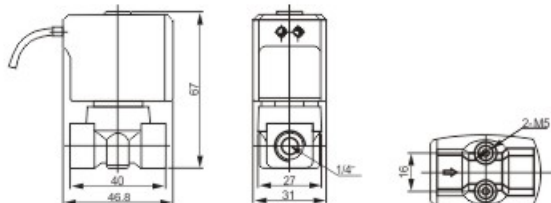
Power consumption: AC 6.8VA (Holding) DC 5W
Voltage: AC: 24V 110V 220V 50/60Hz, DC: 24V
Voltage Tolerance: -10%
Coil class: Class B 130
Duty cycle: 100%
lead length: 30 CM (12")

### Construction, External Dimensions Chart



### Component Material

Plunger: IJ117
Seals: EPDM
Body: PP, 1/8(black), 1/4(white), nylon66
Shading Ring: red copper



SLC5~6

### Technical Parameter

Pipe size	Orifice	CV	Operating Pressure PSI			Model Code	Weight (KG)
			MIN	MAX-AC	MAX-DC		
1/8"	2.5(3/32)	0.21	0	120	120	SLC1	0.12
1/4"	2.5(3/32)	0.21	0	120	120	SLC2	
1/8"	3.0	0.23	0	100	100	SLC5	0.2
1/4"	3.0	0.23	0	100	100	SLC6	

# SLC Series Water Dispenser Plastic Solenoid Valve · Normally Closed

2-way normally closed, plastic Solenoid valve

## Characteristics

special diaphragm for foods and separate type

## Specification

Direct acting
Response time: 10~50msec
Mounting: Solenoid vertical and upright direction.
Fixing screw M4 for SLC-3
Fixing screw M3 for SLC-4



SLC4

SLC3

## Using

Fluid media: water
Fluids temp.: 0°C ~ 100°C
Ambient temp.: -10°C ~ +40°C

## Characteristics

Voltage: DC12V DC24V
Coil Class: CLASS B 110°C
lead length: 30CM



## Voltage tolerance

-10% ~ +10%
-------------

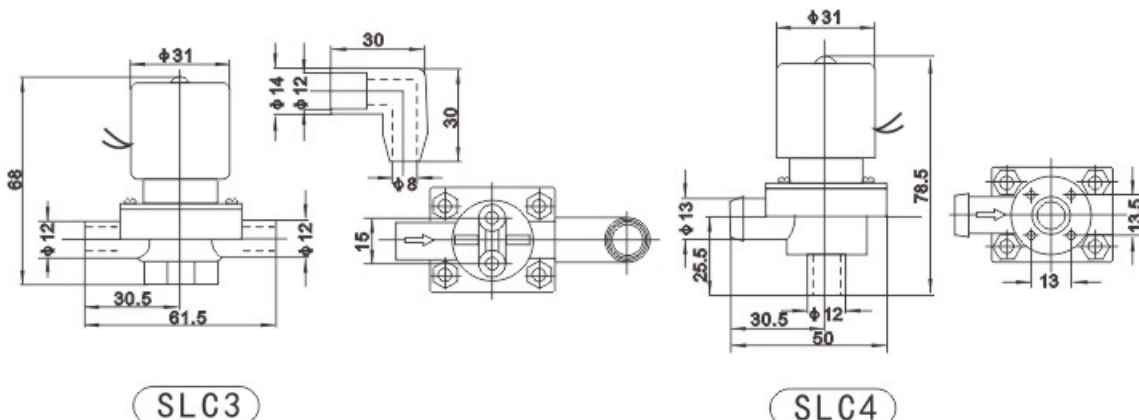
## Technical Parameter

Model Code	Major diameter (insert port)	Orifice Water	Column mm	Weight (KG)
SLC3	12	8	600	0.14
SLC4	12	9	600	

## Component Material

Plunger: IJ117
Seals: Silica Gel
Body: PP

## Construction Dimensions Chart



SLC3

SLC4

# Sanlixin Solenoid Valve

## **SLC** Series Water Dispenser Plastic Solenoid Valve · Normally Closed

### Specification

Direct acting, Normally closed
Response time: 0-5 Msel
Upright direction, fixing screw M5

### Using

Fluid media water
Fluid Temp: 0°C to -100°C
Ambient Temperature: -10°C to 40°C



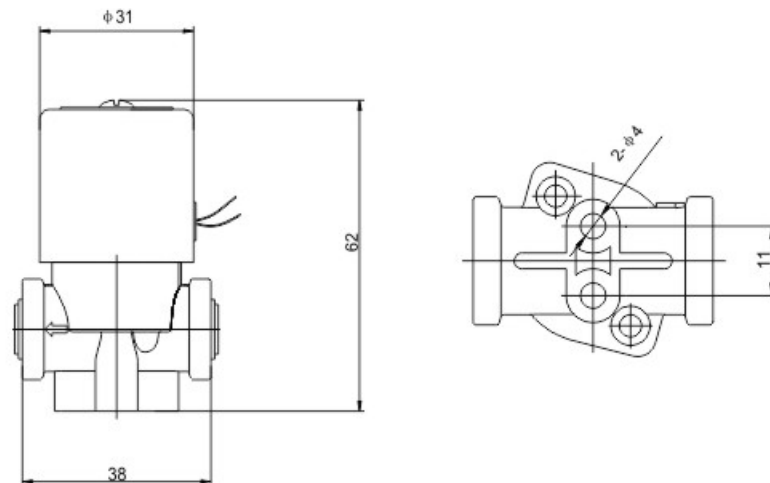
### Characteristic

Power consumption: AC6.8VA( HOLD) DC5W
Voltage: AC24V 110V 220V, DC24V
Voltage Tolerance -10% to +10%
Coil Class: Class B 130
Duty cycle: 100%
Lead length: 30CM(12" )

### Component material

Plunger: Ij117
Seals: EPDM
Body Material: PP white
Shading Ring: Red copper

### Construction, external dimensions chart



### Technical Parameters

Quick connected pipe	Orifice	CV	Operating pressure			Model Code	Weight (KG)
			MIN	MAX-AC	MAX-DC		
R1/4"(φ6.35)	2.5 ( 3/32 )	0.21	0	120	120	SLC10	0.12