

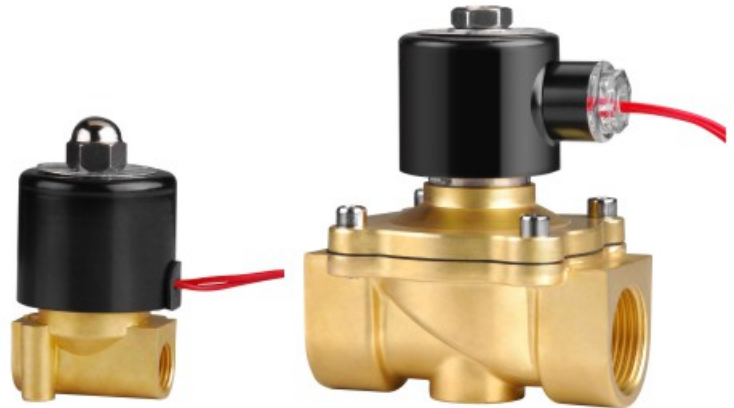
2W Series 2/2-Way Direct Acting Solenoid Valve · Normally Closed

2W | **160** | **15** | **V** | **AC220V**

2 Way Direct Acting | Orifice | Pipe Size | Available Voltage

Blank: NBR
V: For High Temp.

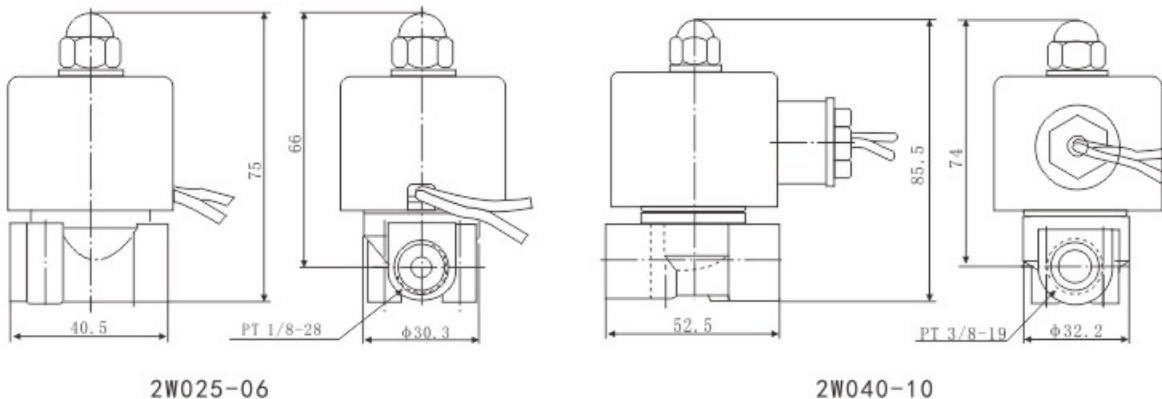
AC: 110V
AC: 220V
DC: 24V
Contact the Factory for Others



Specifications

Model code	2W025-06	2W025-08	2W040-10	2W100-10	2W160-10	2W100-15	2W160-15	2W200-20	2W250-25	2W350-35	2W400-40	2W500-50
Pipe Size	1/8"	1/4"	3/8"		1/2"		3/4"	1"	1 1/4"	1 1/2"	2"	
Orifice	2.5mm	4mm	10mm	16mm	10mm	16mm	20mm	25mm	35mm	40mm	50mm	
Cv Factor	0.23	0.6	1.6	4.8	1.6	4.8	7.6	12	24	29	48	
Fluid Media	Air, Water, Oil, Gas											
Operating Mode	Direct Acting											
Type	Normally Closed											
Viscosity	Under 20CTS											
Operating Pressure	Water: 0~7bar Air: 0~7bar Oil: 0~5bar											
Available Voltage	AC220V AC110V DC24V DC12V ± 10%											
Body Material	Brass											
Seals Material	NBR or VITON											

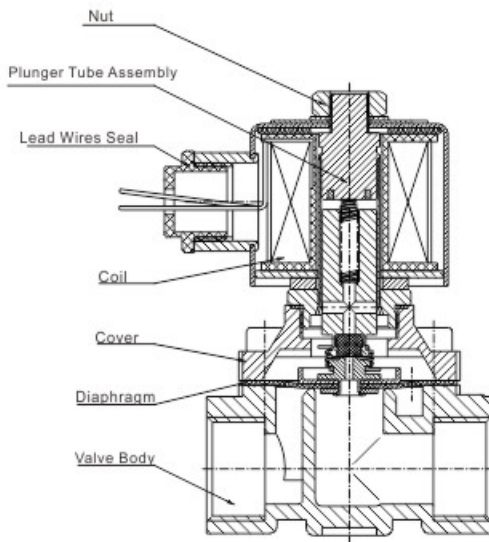
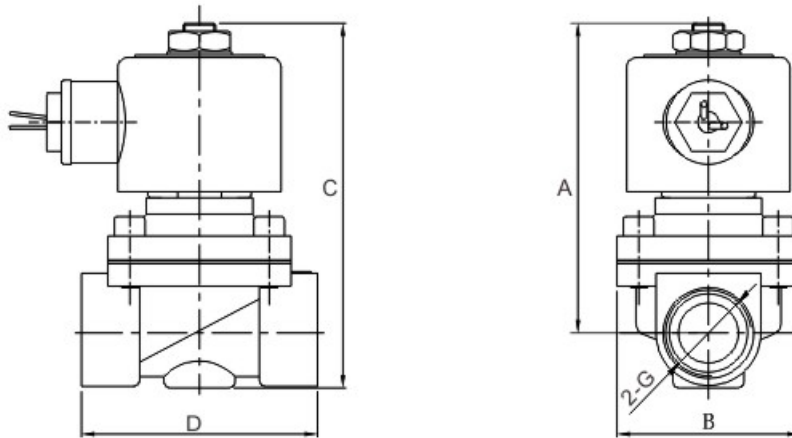
Construction Dimensions Chart



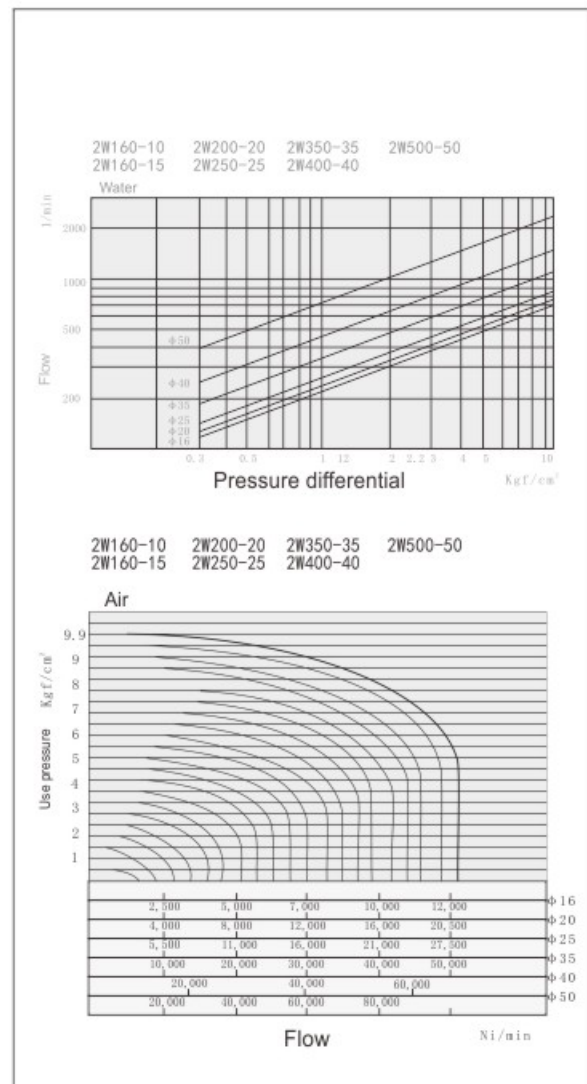
Sanlixin Solenoid Valve

2W Series 2/2-Way Direct Acting Solenoid Valve · Normally Closed

Construction Dimensions Chart



Fluid Flow Chart



Technical Parameter

Model code	A	B	C	D	G	Weight (KG)
2W100-10	90	40.5	98	50	3/8"	0.64
2W100-15	90	40.5	98	50	1/2"	0.68
2W160-10	101.5	57	117	69	3/8"	0.9
2W160-15	101.5	57	117	69	1/2"	0.9
2W200-20	107	57	123.5	73	3/4"	1.0
2W250-25	111.5	73.5	134.5	99	1"	1.5
2W350-35	142	95	172	112	1 1/4"	2.4
2W400-40	142	95	172	123	1 1/2"	2.7
2W500-50	172	123	209	168	2"	4.5