

2W Series 2/2-Way Direct Acting Solenoid Valve · Normally Closed

Technical Parameter (Female Thread)

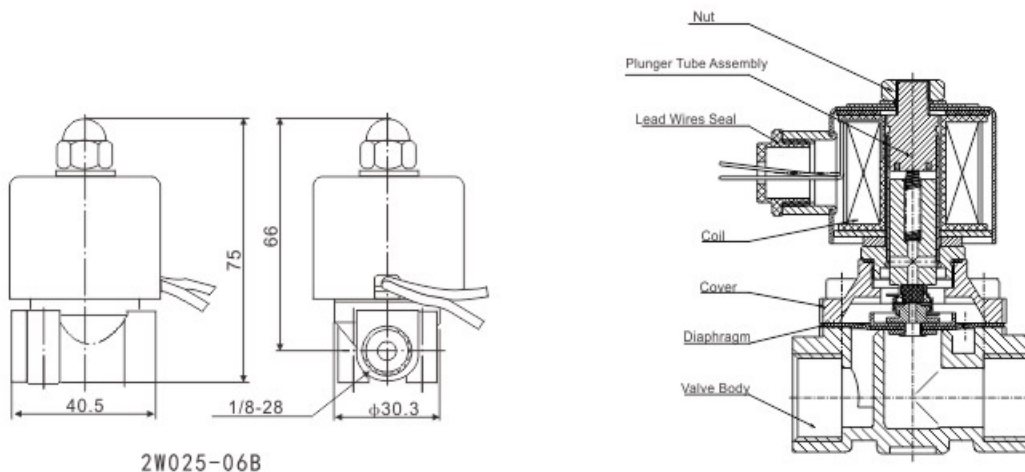
Model code	L	H	Pipe Size	Weight (KG)
2W025-06B	40.5	75	1/8"	0.30
2W025-08B	40.5	75	1/4"	0.29
2W040-10B	52.5	85.5	3/8"	0.6
2W160-10B	69	117	3/8"	0.85
2W160-15B	69	117	1/2"	0.8
2W200-20B	73	123.5	3/4"	1.1
2W250-25B	99	134.5	G1"	1.45
2W350-35B	112	172	1 1/4"	2.3
2W400-40B	123	172	1 1/2"	2.9
2W500-50B	168	209	2"	4.8



Specifications

Model code	2W025-06B	2W025-08B	2W040-10B	2W160-10B	2W160-15B	2W200-20B	2W250-25B	2W350-35B	2W400-40B	2W500-50B
Symbol										
Fluid Media	Air, Water, Oil, Gas									
Operating Mode	Direct Acting									
Type	Normally Closed									
Orifice	2.5	4	16	20	25	35	40	50		
Cv Factor	0.23	0.6	4.8	7.6	12	24	29	48		
Pipe Size	1/8"	1/4"	3/8"	3/8"	1/2"	3/4"	1"	1 1/4"	1 1/2"	2"
Viscosity	Under 20CTS									
Operating Pressure	Water:0~7 Air:0~7 Oil:0~5									
Fluids Temp.	-5~80°C									
Available Voltage	± 10% AC220V 110V DC24V Contact the factory for Others									
Body Material	S.S.304 (S.S.316 Special Made)									
Seals Material	NBR or VITON									

Construction External Dimensions Chart

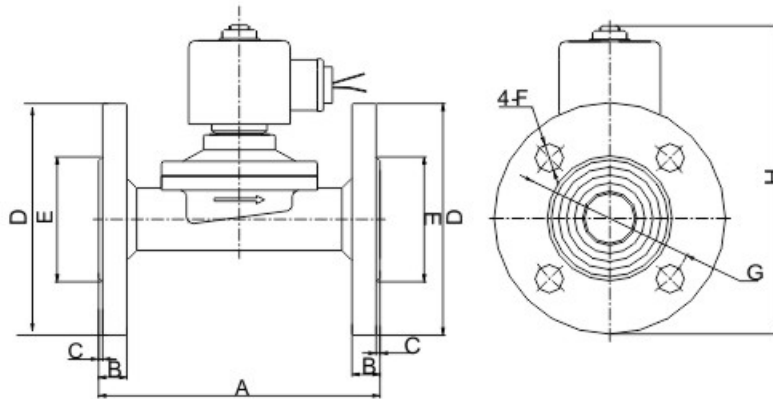


Sanlixin Solenoid Valve

2W Series 2/2-Way Direct Acting Solenoid Valve · Normally Closed



Construction Dimensions Chart



Model	A	B	C	ϕ D	ϕ E	ϕ F	ϕ G	H	Weight(KG)
2W160-15FB	108	12	2	95	45	4-14	65	138	1.8
2W200-20FB	108	12	2	102	56	4-14	75	141	2.0
2W250-25FB	140	14	2	115	62	4-14	85	160	2.9
2W350-35FB	152	15	2	135	76	4-18	100	212	5.1
2W400-40FB	152	15	2	145	84	4-18	110	215	6.1
2W500-50FB	195	16	2	160	98	4-18	125	252	8.2